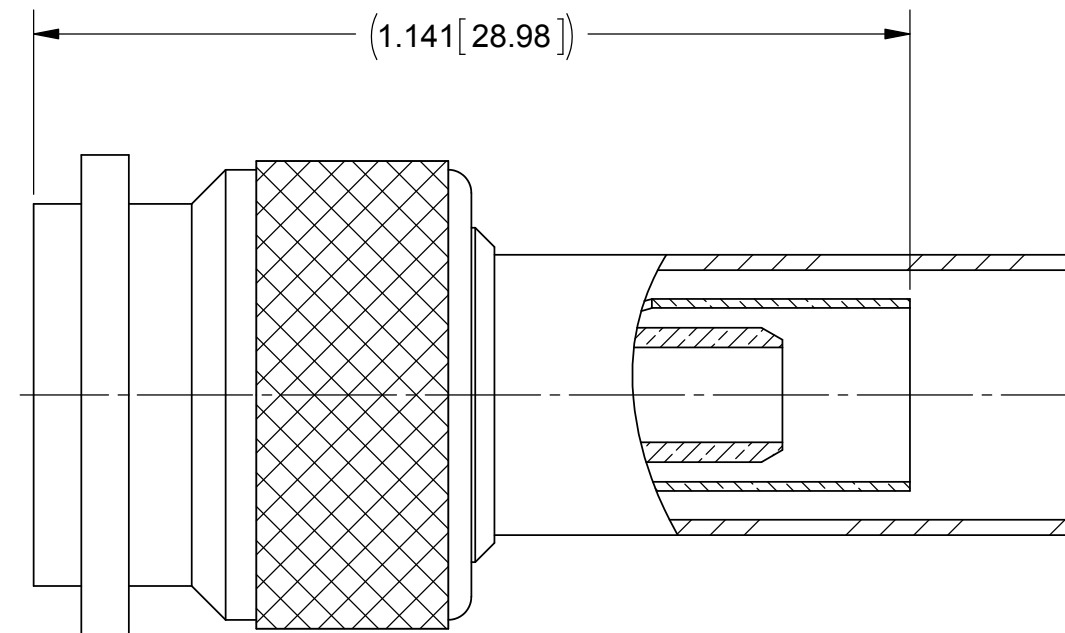
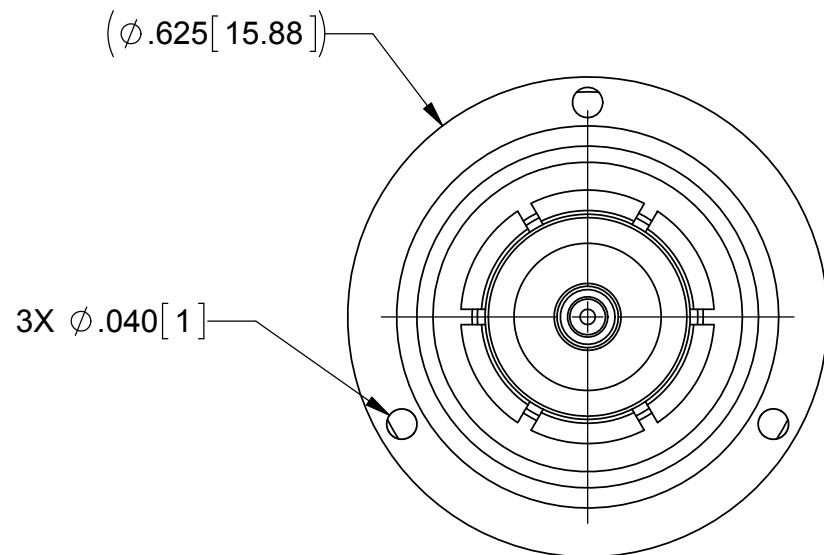
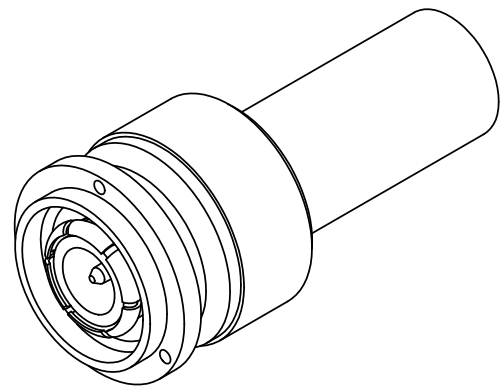


PRODUCT DATA DRAWING

REVISION HISTORY			
REV	DESCRIPTION	DATE	APPROVED
A	DCN 41763	10/15	MAL



MATERIAL:

- BODY, CONTACT, & COUPLING NUT: BRASS PER ASTM B16, ALLOY UNS No. C36000
- LOCK RING: PHOSPHOR BRONZE PER ASTM B159, ALLOY 51000
- OUTER CONTACT: BERYLLIUM COPPER PER ASTM B194, ALLOY No. UNS C17200
- INSULATOR: PTFE PER ASTM D1710, TYPE I, GRADE 1, CLASS B
- CRIMP RING: COPPER PER ASTM B301, ALLOY UNS C18700
- GASKET: SILICONE RUBBER PER A-A-59588, CLASS 2B, GRADE 50/60
- TUBING: M23053/4

FINISH:

- BODY, OUTER CONTACT, COUPLING NUT, & CRIMP SLEEVE: SILVER PER ASTM B700, TYPE 1, GRADE D, CLASS S
- CONTACT: GOLD PER ASTM B488, TYPE II, CODE C, CLASS 1.27, OVER NICKEL PER AMS-QQ-N-290, CLASS 1, .00005" MIN.

PERFORMANCE:

- IMPEDANCE: 50 OHMS
- FREQ. RANGE: DC TO 15.0 GHz
- VSWR: 1.10 + .015(F):1 DC TO 15.0 GHz
- INSERTION LOSS: .05 X SQRT(F IN GHz)

MATERIAL: SEE NOTES	DIMENSIONS ARE IN INCHES TOLERANCES: FRACTIONAL: ±1/64 ANGULAR: X° ±1°0' X'X' ±15'	UNLESS OTHERWISE SPECIFIED 1) ALL DIMENSIONS ARE IN INCHES (MILLIMETERS) 2) ALL DIMENSIONS ARE AFTER PLATING. 3) BREAK CORNERS & EDGES .005 R. MAX. 4) CHAM. 1ST & LAST THREADS. 5) SURFACE ROUGHNESS 63-MIL-STD-10. 6) DIA. 'S ON COMMON CENTERS TO BE CONCENTRIC WITHIN .005 T.I.R. 7) REMOVE ALL BURRS	 2400 Centrepark West Drive, Suite 100 West Palm Beach, FL 33409 TITLE: TNC PLUG CRIMP TYPE FOR RG-142, 223 AND 400/U
FINISH: SEE NOTES	DECIMAL: X ±.030 .XX ±.010 .XXX ±.005		
SURFACE AREA: N/A	INTERPRET DIMENSIONS AND TOLERANCES PER ASME Y14.5M - 1994	DRAWN: DAL 10/12/15 CHECKED: MAL 10/12/15 APPROVED: GD 12/16/85	SIZE B CAGE CODE 95077 DWG. NO. M39012/26-0011 SCALE: 4:1 SHEET 1 OF 1
PROPRIETARY THE INFORMATION CONTAINED IN THIS DRAWING IS THE SOLE PROPERTY OF SV MICROWAVE, INC. ANY REPRODUCTION IN PART OR AS A WHOLE WITHOUT THE WRITTEN PERMISSION OF SV MICROWAVE, INC IS PROHIBITED.	THIRD ANGLE PROJECTION		