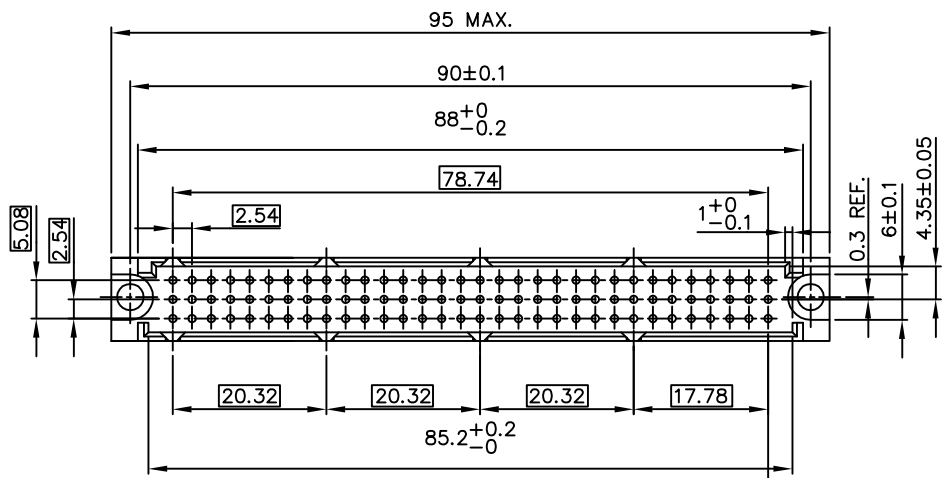
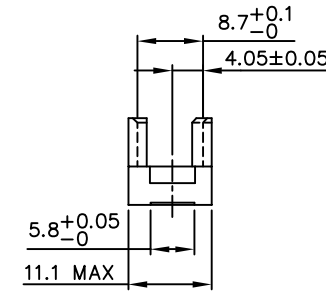
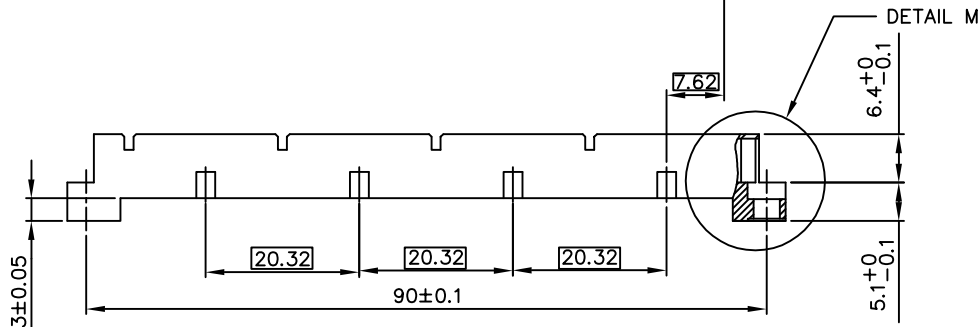
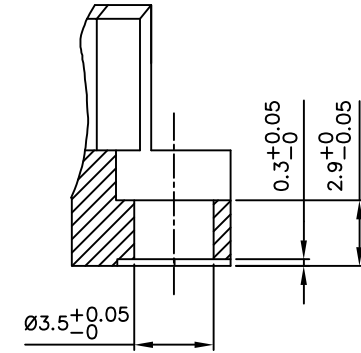


PRODUCT NUMBER 70005-001



DETAIL M
scale 3:1



NOTES:-

1. THIS PRODUCT MEETS EUROPEAN UNION DIRECTIVES AND OTHER COUNTRY REGULATIONS AS DESCRIBED IN GS-22-008.
2. LEADFREE OR RoHS DIRECTIVE LABELLING TO BE PROVIDED AS PER GS-14-920.
3. " LF " SUFFIX TO PRODUCT NUMBER FOR RoHS COMPATIBLE/ LEADFREE VERSION.
4. PARTS WITH AND WITHOUT "LF " SUFFIX ARE FORM-FIT AND FUNCTIONALLY IDENTICAL. " LF " SUFFIX PROVIDED FOR PART NUMBER STANDARDISATION OF PART THAT MEETS RoHS REQUIREMENTS.
5. MATERIAL : POLYBUTYLENE TEREPHALATE (PBT), COLOUR: GREY
30% GLASS REINFORCED, FLAME RETARDED UL 94 V-0

mat'l. code		surface		tolerance		projection		product family	
SEE NOTE		ISO 1302		ISO 406 ISO 1101				BACKPANEL	
ltr	ecn no	dr	date	tolerances unless otherwise specified		mm		title	
A	108-0026	JS	2008-02-21	angles linear				SHROUD BODY	
						scale 1:1		dwg no	
				dr JOHN SLEEBA 2008-02-21				sheet 1 of 1 size	
				engr KESAVAN.R 2008-02-21				70005 A3	
				chr KESAVAN.R 2008-02-21				type Product Customer Drawing	
				appd KESAVAN.R 2008-02-21					
sheet index	revision sheet	A 1							