



### Features

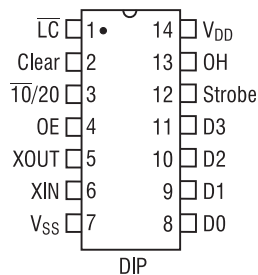
- Time-guarded dial pulse counting
- 10 or 20 PPS dialing speeds pin selectable
- Tri-state data outputs
- Valid data output strobe
- Data strobe control for use in interrupt-driven environments
- Independent hook status monitoring
- Low-power CMOS construction

### Description

The M-959 is a low-power dial pulse counter and hook status monitor. Contained in a 14-pin package, the M-959 requires no external components except a single 3.579 MHz television color burst crystal.

The M-959 is typically connected to a loop current sensing circuit, which is connected in series with the voice pair (Tip and Ring) of a telephone line. The M-959 receives pulses from the loop current sense circuit and translates them into logic level outputs indicating hook status and decoded dialed digits. Logic inputs to the M-959 select dialed digit speeds and control Data and Strobe outputs supporting bus interrupt driven implementations.

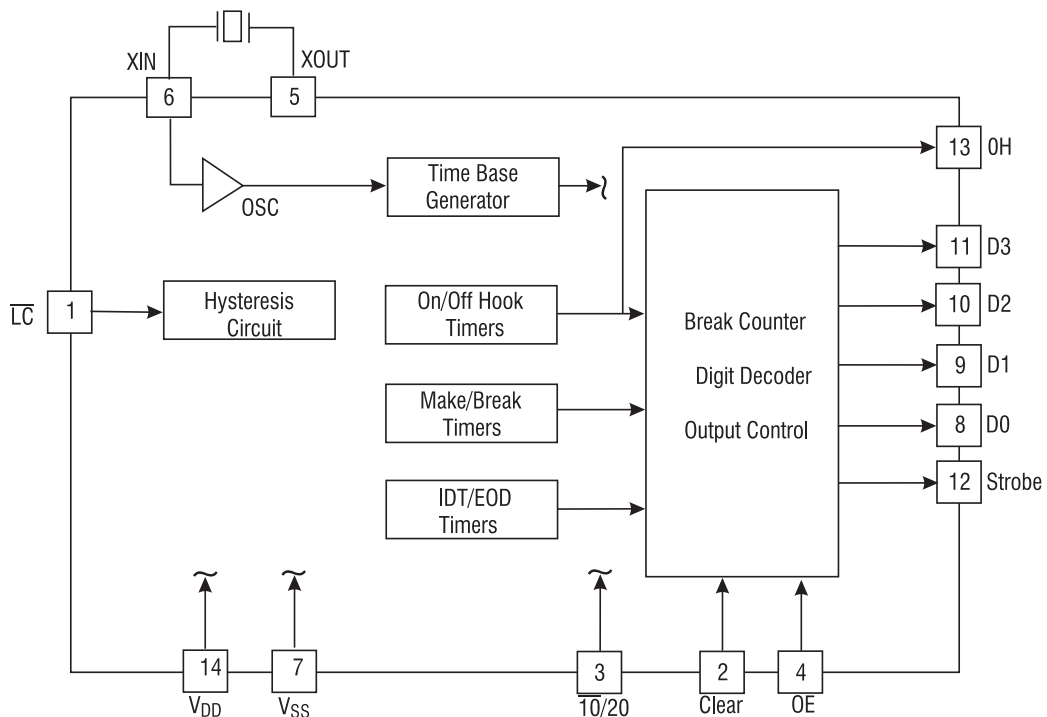
### Pin Diagram



### Ordering Information

Part #	Description
M-959	14-pin plastic DIP

### Block Diagram



**Absolute Maximum Ratings**

DC Supply Voltage	6.0 V
Any Input Voltage Relative to $V_{DD}$	+0.3 V
Any Input Voltage Relative to $V_{SS}$	-0.3 V
Operating Temperature Range	-40°C to +85°C
Storage Temperature Range	-55°C to +125°C

\* Exceeding these ratings may permanently damage the M-959.

*Absolute Maximum Ratings are stress ratings. Stresses in excess of these ratings can cause permanent damage to the device. Functional operation of the device at these or any other conditions beyond those indicated in the operational sections of this data sheet is not implied. Exposure of the device to the absolute maximum ratings for an extended period may degrade the device and effect its reliability.*

**Specifications**

$V_{DD} - V_{SS} = 2.5$ through 6.0 V unless otherwise noted.							
	Parameter	Conditions	Min	Typ	Max	Units	Notes
Signal Timing	Break Recognition	10 PPS	45	–	85	ms	
		20 PPS	30	–	40	ms	
	Spurious Break Rejection	–	0	–	10	ms	
	Make Recognition	10 PPS	30	–	65	ms	
		20 PPS	15	–	24	ms	
	Interdigit Time (IDT)	10 PPS	285	300	315	ms	
		20 PPS	142.5	150	157.5	ms	
	Off-hook Delay	–	95	100	105	ms	
	On-hook Delay	–	285	300	315	ms	
	LC Hysteresis	–	1	1.5	2	ms	
	EOD (End of Digit) Recognition	10 PPS	95	100	105	ms	
		20 PPS	47.5	50	52.5	ms	
	STROBE Active	10 PPS	190	200	210	ms	
20 PPS		95	100	105	ms		
Data Change Before	–	1.0	1.5	2.0	ms		
Logic Input Requirements	Input Voltages	Logic 0	0.0	2.25	1.5	V	1, 2
		Logic 1	3.5	2.75	5.0	V	1,3
	Input Current	–	–	–	± 30	µA	
Pull Up/Down Resistance	–	–	–	2.0	mA		
Logic Output Characteristics	Output Voltages	Logic 0	0.0	–	0.5	V	1, 4
		Logic 1	4.5	–	5.0	V	1, 3
	Output Currents	$V_{out} = 2.5V$	-2.1	-4.2	–	mA	1
		$V_{out} = 4.6V$	-0.44	-0.88	–	mA	1
		$V_{out} = 0.4V$	0.44	0.88	–	mA	1
Tri-State Leakage	–	–	–	± 1.0	µA		
Power Requirement	Supply Current	–	–	–	2.0	mA	

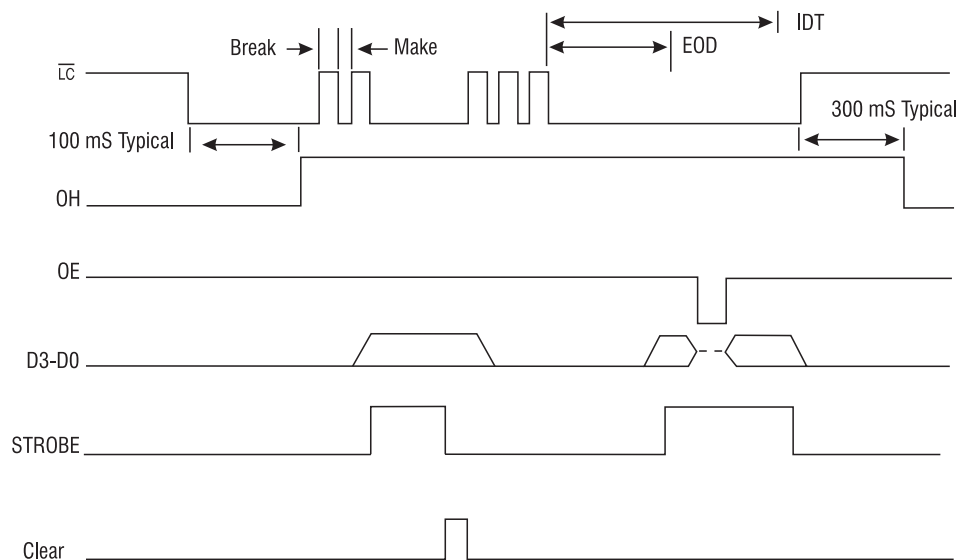
**Notes:**

1.  $V_{DD} - V_{SS} = 5.0V$
2. Maximum is 30% of  $V_{DD} - V_{SS}$
3. Minimum is 70% of  $V_{DD} - V_{SS}$
4. No load.
5. Typical column for reference only.

### Pin Functions

Pin	Function
$\overline{\text{LC}}$	Loop Current Input. Signal from phone line to be monitored for dial pulse signaling and hook status. Active low, internally pulled high.
OH	Off-hook Output. Hook status of phone line. Active (off-hook) high.
$\overline{10}/20$	Pulse Speed Input. Low for 10 pulse per second, high for 20 pulse per second. Internally pulled low.
D3-D0	Data Outputs. Binary decoded rotary dialed digit. Active during valid digit time (strobe high), low at any other time.
	Digit Dialed D3 D2 D1 D0
	1 0 0 0 1
	2 0 0 1 0
	3 0 0 1 1
	4 0 1 0 0
	5 0 1 0 1
	6 0 1 1 0
	7 0 1 1 1
	8 1 0 0 0
	9 1 0 0 1
	0 1 0 1 0
OE	Output Enable Input. Active high, a log low tri-states D3 through D0 outputs. Internally pulled high.
XIN	Crystal Oscillator Input
XOUT	Crystal Oscillator Output.
Clear	Strobe Control Input. Momentary high during digit valid time resets STROBE latch output low until next valid digit is received. Internally pulled low.
Strobe	Digit Valid Output. Indicates valid digit data present on D3 through D0. Active high.

### Timing Diagram

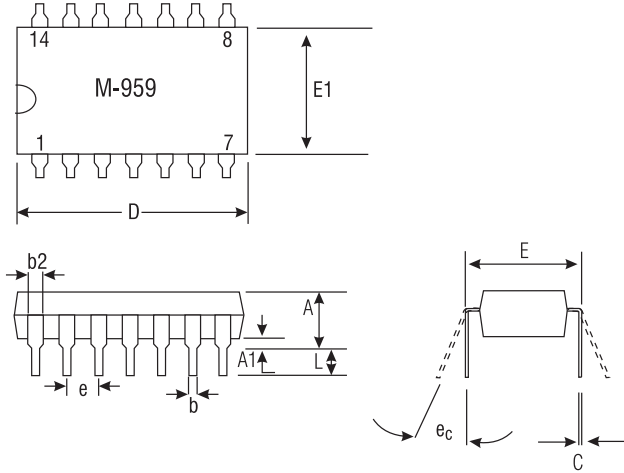




# M-959

## Mechanical Dimensions

14-Pin DIP



Drawing not to scale.  
Does not reflect actual part marking.

Tolerances				
	Inches		Metric (mm)	
	Min	Max	Min	Max
A		.210		5.33
A1	.015		.38	
b	.014	.022	.36	.56
b2	.045	.070	1.14	1.78
C	.008	.014	.20	.36
D	.735	.775	18.67	19.70
E	.300	.325	7.62	8.26
E1	.240	.280	6.10	7.1
e	100 BSC		2.54 BSC	
ec	0°	15°	0°	15°
L	.115	.150	2.92	3.81

Dimensions  
mm  
(inches)



### CLARE LOCATIONS

Clare Headquarters  
78 Cherry Hill Drive  
Beverly, MA 01915  
Tel: 1-978-524-6700  
Fax: 1-978-524-4900  
Toll Free: 1-800-27-CLARE

Clare Switch Division  
4315 N. Earth City Expressway  
Earth City, MO 63045  
Tel: 1-314-770-1832  
Fax: 1-314-770-1812

Clare Micronix Division  
145 Columbia  
Aliso Viejo, CA 92656-1490  
Tel: 1-949-831-4622  
Fax: 1-949-831-4628

### SALES OFFICES

#### AMERICAS

##### Americas Headquarters

Clare  
78 Cherry Hill Drive  
Beverly, MA 01915  
Tel: 1-978-524-6700  
Fax: 1-978-524-4900  
Toll Free: 1-800-27-CLARE

##### Eastern Region

Clare  
603 Apache Court  
Mahwah, NJ 07430  
Tel: 1-201-236-0101  
Fax: 1-201-236-8685  
Toll Free: 1-800-27-CLARE

##### Central Region

Clare Canada Ltd.  
3425 Harvester Road, Suite 202  
Burlington, Ontario L7N 3N1  
Tel: 1-905-333-9066  
Fax: 1-905-333-1824

##### Western Region

Clare  
1852 West 11th Street, #348  
Tracy, CA 95376  
Tel: 1-209-832-4367  
Fax: 1-209-832-4732  
Toll Free: 1-800-27-CLARE

##### Canada

Clare Canada Ltd.  
3425 Harvester Road, Suite 202  
Burlington, Ontario L7N 3N1  
Tel: 1-905-333-9066  
Fax: 1-905-333-1824

### EUROPE

#### European Headquarters

CP Clare nv  
Bampslaan 17  
B-3500 Hasselt (Belgium)  
Tel: 32-11-300868  
Fax: 32-11-300890

#### France

Clare France Sales  
Lead Rep  
99 route de Versailles  
91160 Champlan  
France  
Tel: 33 1 69 79 93 50  
Fax: 33 1 69 79 93 59

#### Germany

Clare Germany Sales  
ActiveComp Electronic GmbH  
Mitterstrasse 12  
85077 Manching  
Germany  
Tel: 49 8459 3214 10  
Fax: 49 8459 3214 29

#### Italy

C.L.A.R.E.s.a.s.  
Via C. Colombo 10/A  
I-20066 Melzo (Milano)  
Tel: 39-02-95737160  
Fax: 39-02-95738829

#### Sweden

Clare Sales  
Comptronic AB  
Box 167  
S-16329 Spånga  
Tel: 46-862-10370  
Fax: 46-862-10371

#### United Kingdom

Clare UK Sales  
Marco Polo House  
Cook Way  
Bindon Road  
Taunton  
UK-Somerset TA2 6BG  
Tel: 44-1-823 352541  
Fax: 44-1-823 352797

### ASIA/PACIFIC

#### Asian Headquarters

Clare  
Room N1016, Chia-Hsin, Bldg II,  
10F, No. 96, Sec. 2  
Chung Shan North Road  
Taipei, Taiwan R.O.C.  
Tel: 886-2-2523-6368  
Fax: 886-2-2523-6369

<http://www.clare.com>

---

*Clare, Inc. makes no representations or warranties with respect to the accuracy or completeness of the contents of this publication and reserves the right to make changes to specifications and product descriptions at any time without notice. Neither circuit patent licenses nor indemnity are expressed or implied. Except as set forth in Clare's Standard Terms and Conditions of Sale, Clare, Inc. assumes no liability whatsoever, and disclaims any express or implied warranty, relating to its products including, but not limited to, the implied warranty of merchantability, fitness for a particular purpose, or infringement of any intellectual property right.*

*The products described in this document are not designed, intended, authorized or warranted for use as components in systems intended for surgical implant into the body, or in other applications intended to support or sustain life, or where malfunction of Clare's product may result in direct physical harm, injury, or death to a person or severe property or environmental damage. Clare, Inc. reserves the right to discontinue or make changes to its products at any time without notice.*

---

Specification: DS-M959-R3  
©Copyright 2001, Clare, Inc.  
All rights reserved. Printed in USA.  
7/20/01