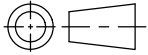
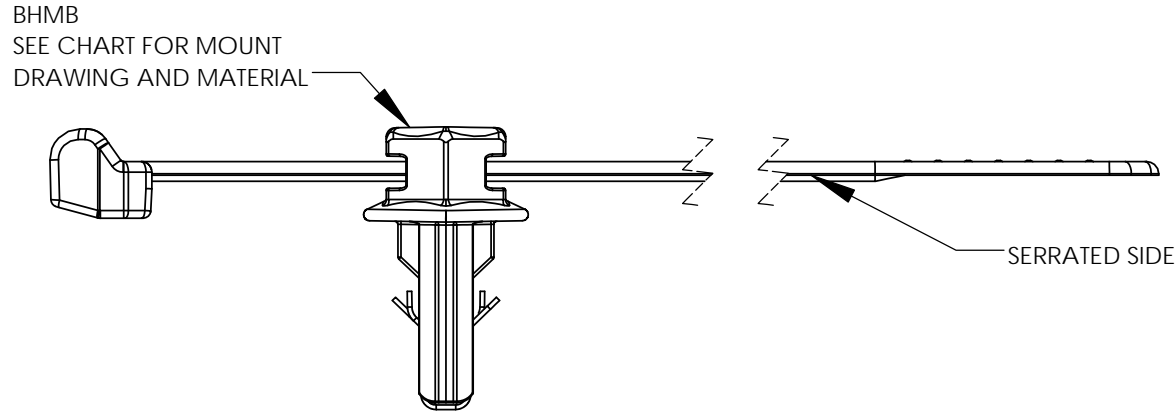
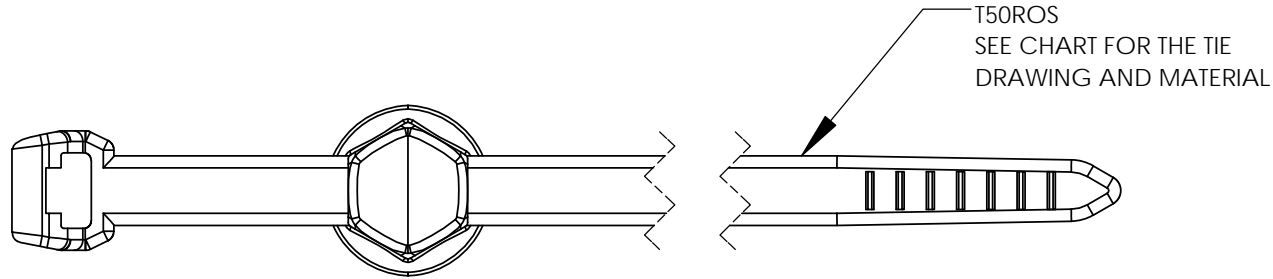


SW2015



Revision level			Revision Record	Changed	Date	Approved	Date
Drawing	State	Part					
00.4	Design Release	A	SEE ECN# 013517	CTF	8/10/2016	KAC	8/10/2016



TYPE	BUNDLE RANGE (mm)	CABLE TIE		MOUNT	
		DRAWING	MATERIAL	DRAWING	MATERIAL
T50ROSBHMB	2.0 - 50	CT10-0737-002CST	PA66HS	14-0969-030-CSU	PA66HS ZINC PLATED STEEL

Material SEE CHART	Units: millimeters	The copyright of this drawing is reserved by HellermannTyton. It is issued on condition that it is not reproduced, copied, or disclosed to a third party, either wholly or in part, without the consent of HellermannTyton.	Drawn	CTF	8/10/2016	Article/Type-No	SEE TABLE	Scale	2:1
	Dimension without tolerances details to: .XXX = ±.013 .XX = ±.13 .X = ±.3 None = ±.8 ∠ = ±0.5°		Approved	KAC	8/10/2016			Title	T50ROS OUTSIDE SERRATED CABLE TIE WITH BHMB BLIND HOLE MOUNT
	Dimension Formatted mm/[in]		<p>North America Email: corp@htamericas.com Web: www.hellermann.tyton.com</p>			Drawing-No	PRE-PRODUCTION : Phase	Format	AH
								16-1308-010-CSU	Sheet