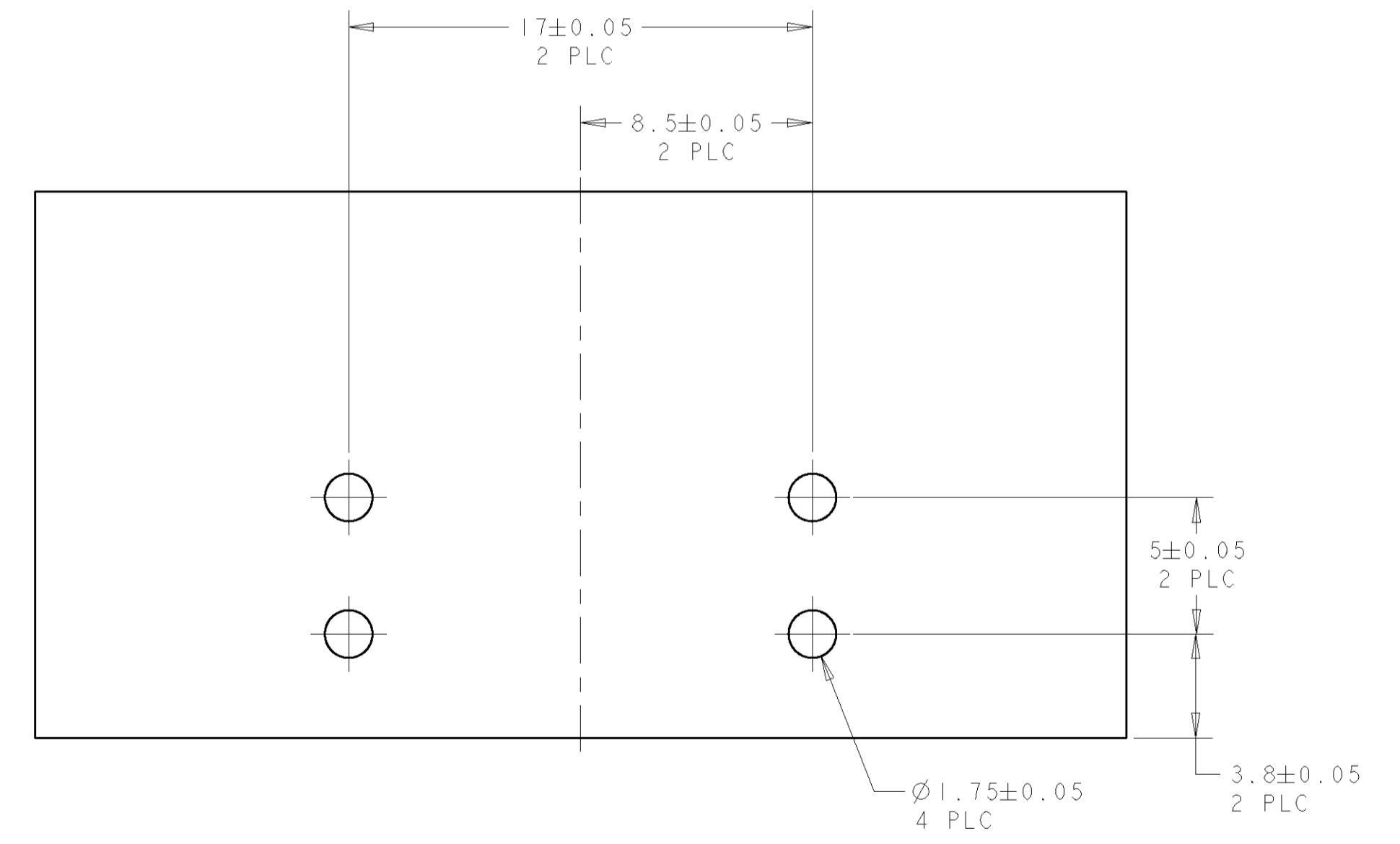
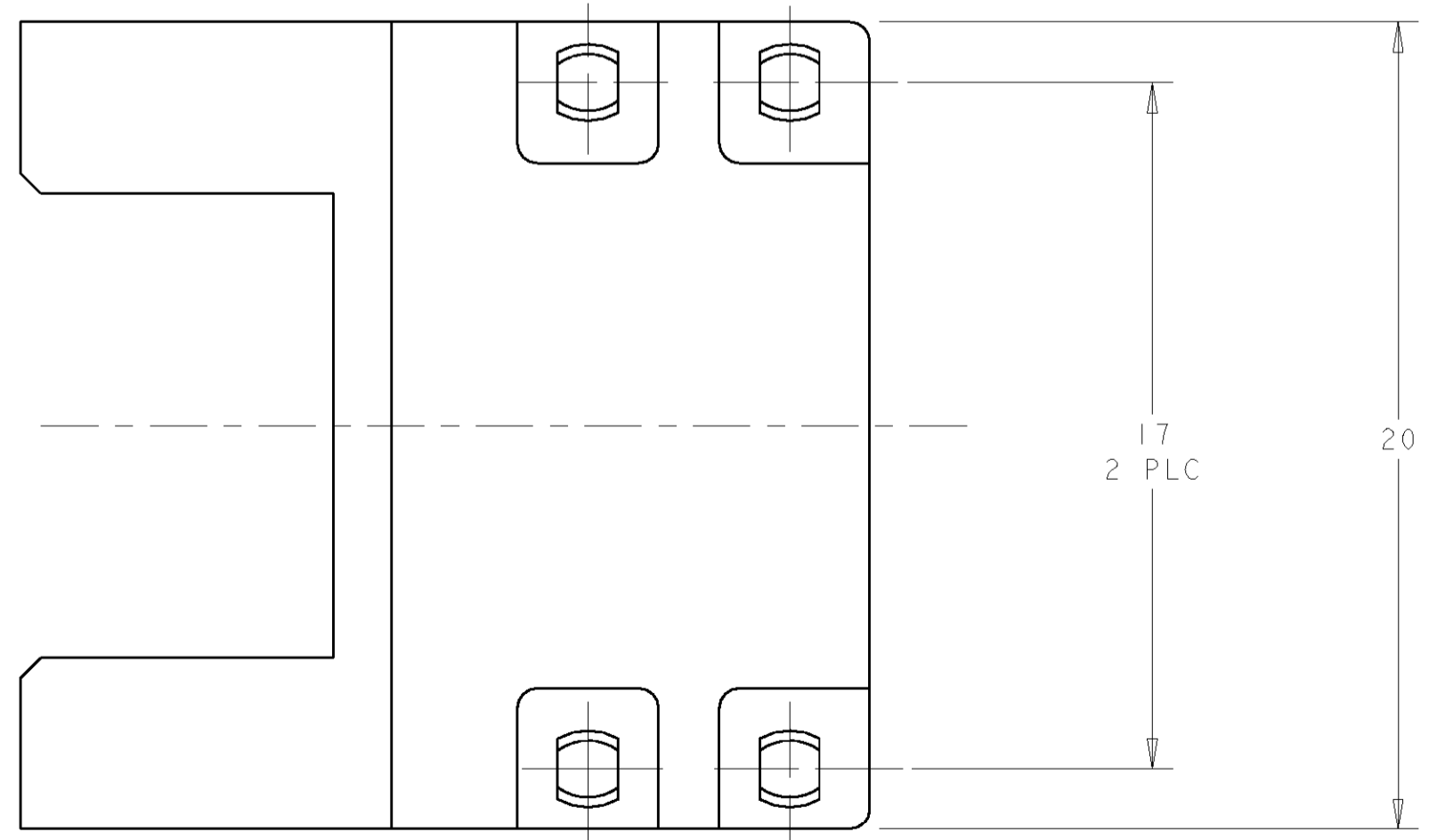
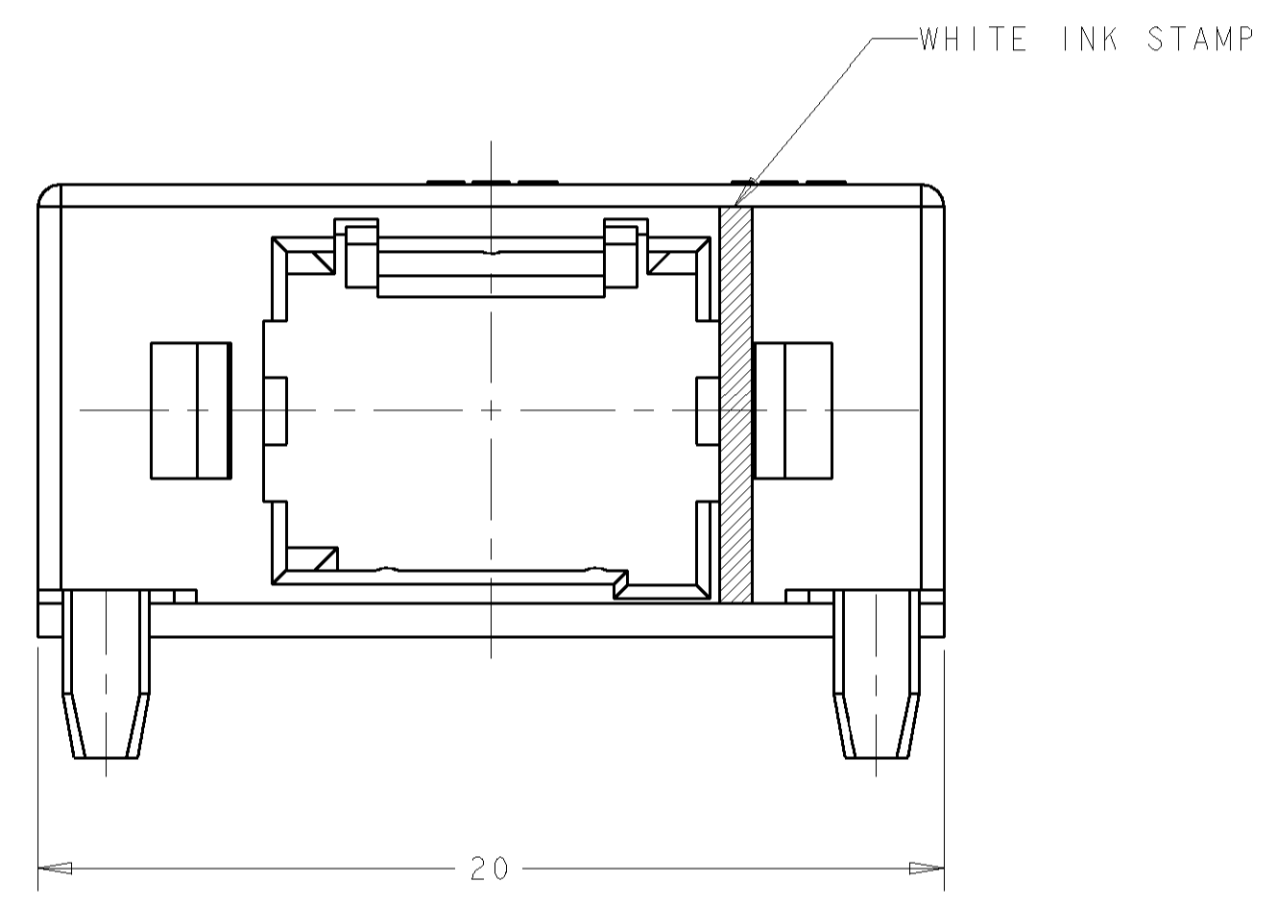
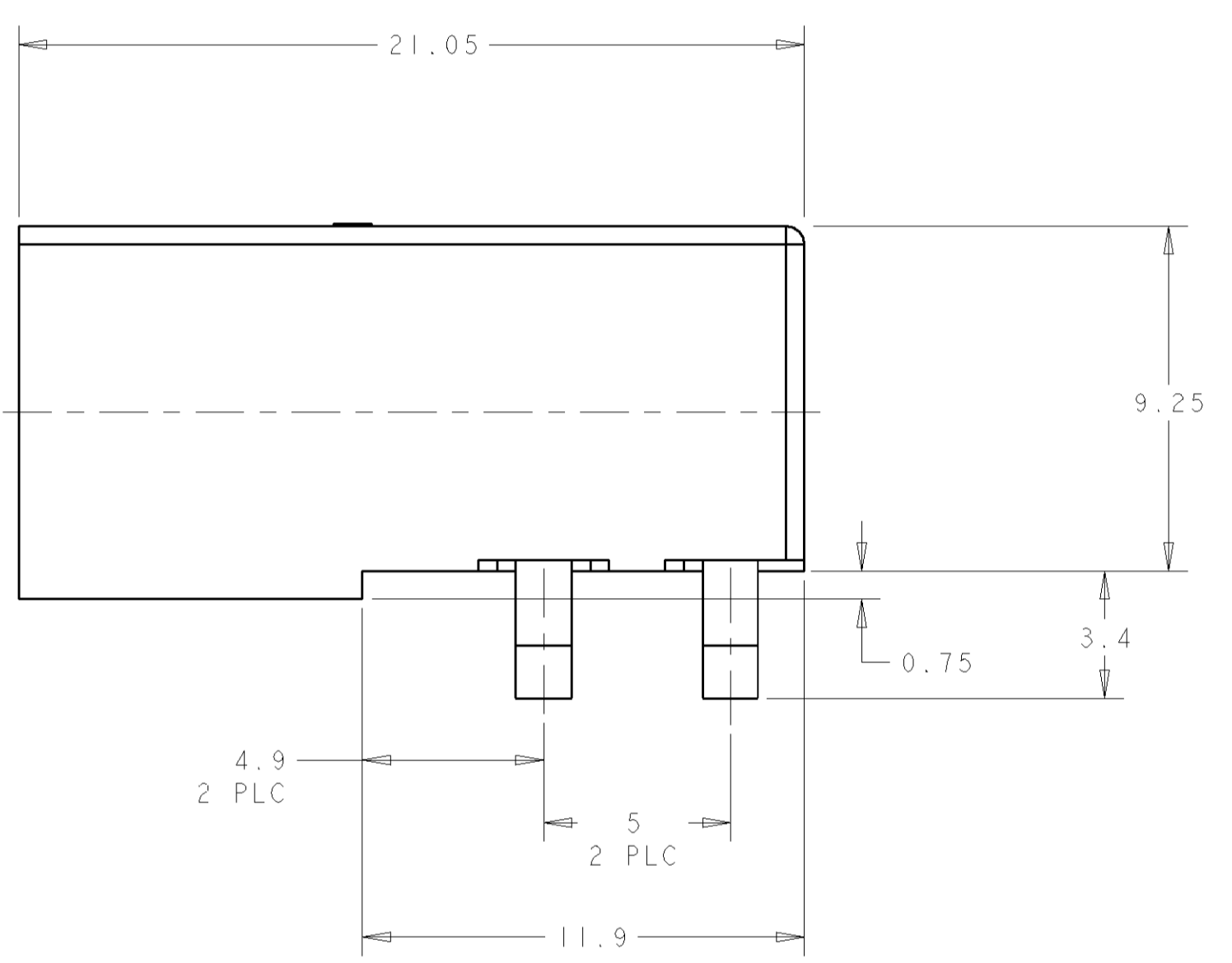
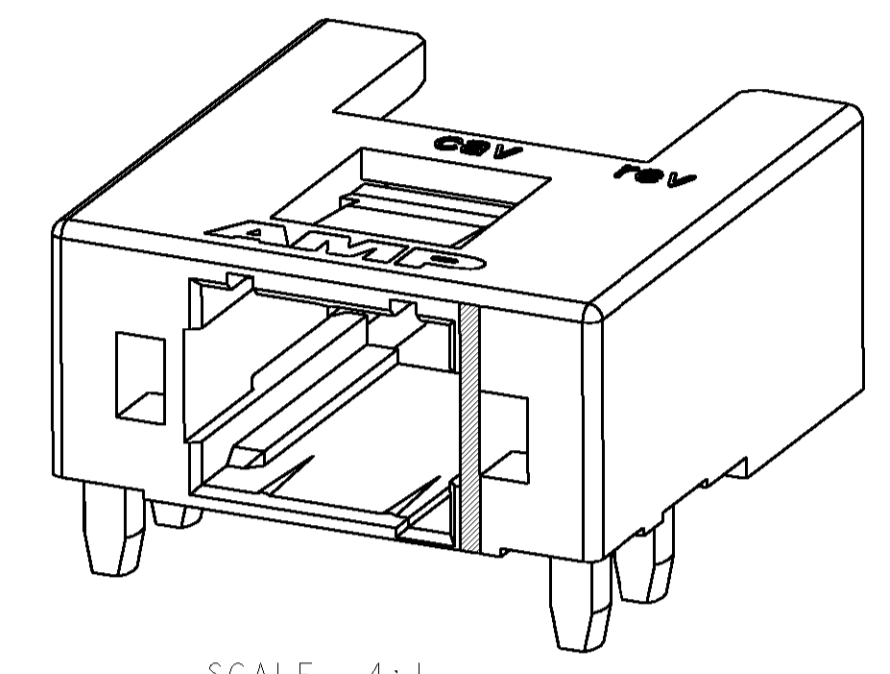
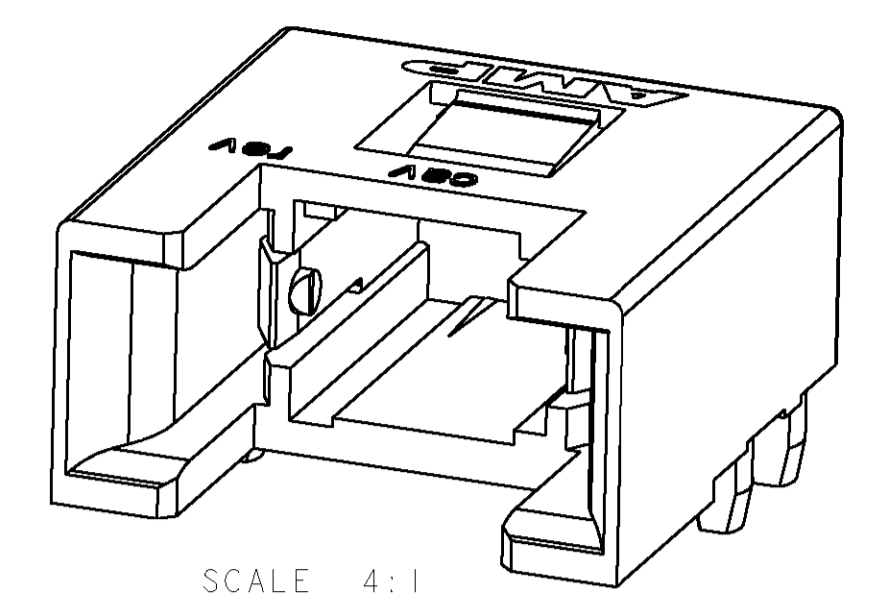
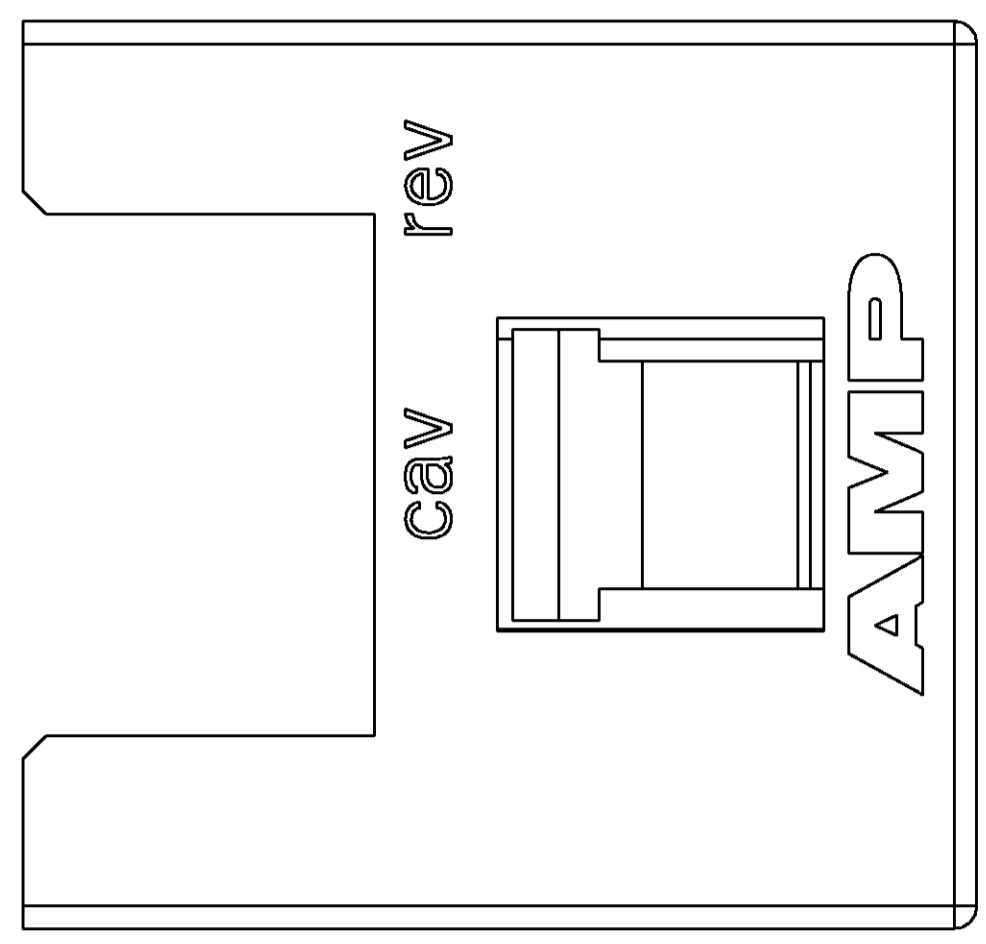


LOC	DIST	REVISIONS			
		REV	BY	DATE	APP'D
CE	16	E	REV PER EC	0UB0-0179-01	05MAR01 LM LB
		F	REVISED PER EC	0A00-0439-01	11DEC01 EB AP



SUGGESTED HOLE PATTERN  
SCALE 5:1

492234-1  
PART NUMBER

<small>THIS DRAWING IS A CONTROLLED DOCUMENT FOR AMP INCORPORATED. ALL CHANGES TO THIS AND THE CONTROLLING DRAWING ORGANIZATION SHOULD BE CONTACTED FOR THE LATEST REVISION.</small>		DWN: R. HILEMAN 2-14-97 ENR: S. BUCHTER 2-14-97 APVD: S. BUCHTER 2-14-97	<b>AMP</b> AMP Incorporated Harrisburg, PA 17105-3608
DIMENSIONS: mm 	TOLERANCES UNLESS OTHERWISE SPECIFIED: 0 PLC ± 1 PLC ±0.3 2 PLC ±0.10 3 PLC ±0.001 4 PLC ±0.0001 ANGLES ±	PRODUCT SPEC APPLICATION SPEC WEIGHT CUSTOMER DRAWING	NAME: HOUSING, DAUGHTER CARD, SINGLE POSITION, LIGHTRAY MPX SIZE: A1 CAGE CODE: 00779 DRAWING NO: 492234 SCALE: 6:1 SHEET 1 OF 1 REV F