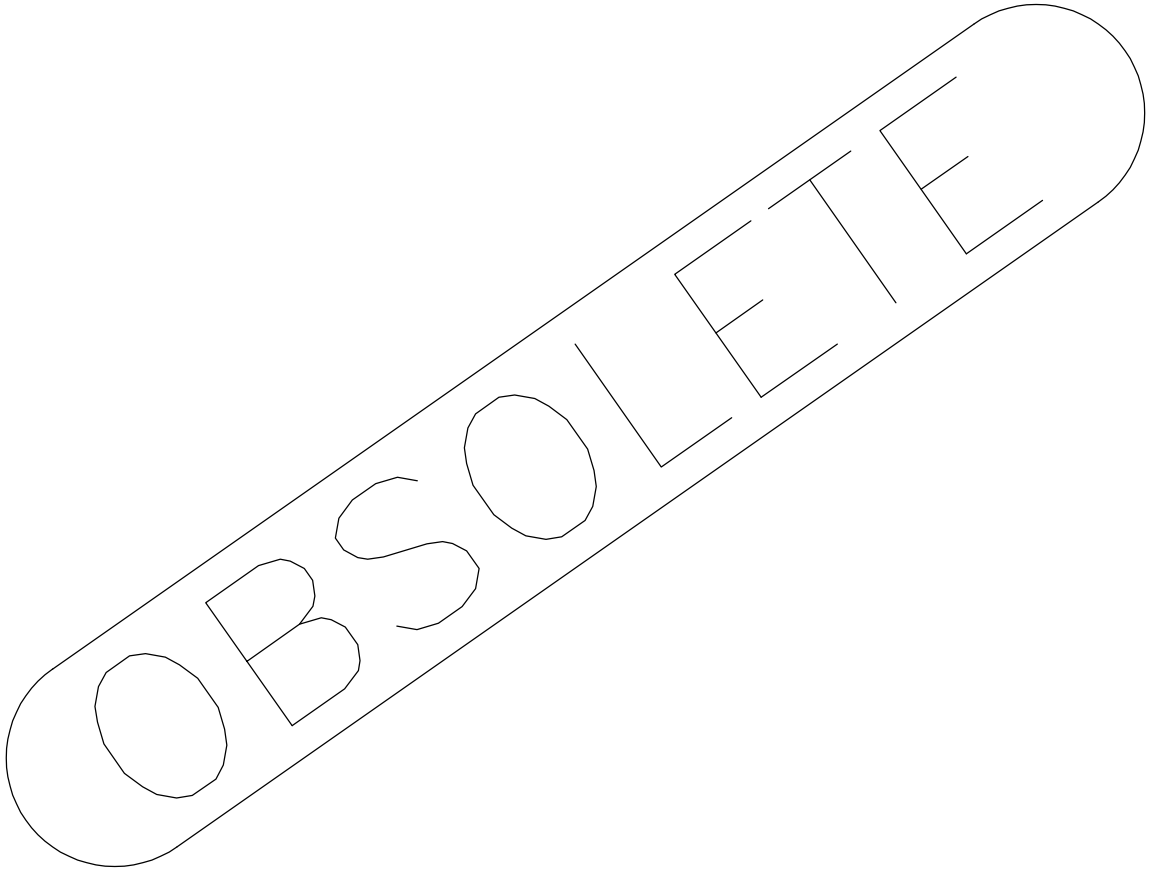


LOC J	DIST F	REVISIONS			
P	LTR	DESCRIPTION	DATE	DWN	APVD
	P	REDRAWN W/OBSOLETE (ECR-13-014839)	24JUN2014	Y.K	K.K




RELEASED FOR PUBLICATION

ALL RIGHTS RESERVED.

Tyco Electronics JAPAN G.K.

© COPYRIGHT

THIS DRAWING IS UNPUBLISHED.

DIMENSIONS: mm	DWN Y.KUDO	24JUN2014	MATERIAL	FINISH		
	CHK J.TSUJI	24JUN2014	 TE Connectivity			
TOLERANCES UNLESS OTHERWISE SPECIFIED:	APVD K.KOBAYASHI	24JUN2014			NAME MEMORY STICK DUO CONNECTOR STANDARD TYPE	
	0 PLC ±	PRODUCT SPEC	SIZE	CAGE CODE	DRAWING NO	RESTRICTED TO
1 PLC ±	APPLICATION SPEC	A4	00779	C-1827192		
2 PLC ±	WEIGHT					
3 PLC ±	CUSTOMER DRAWING		SCALE	SHEET	1 OF 1	REV P
4 PLC ±						
ANGLES ±						

