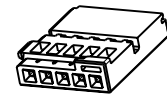
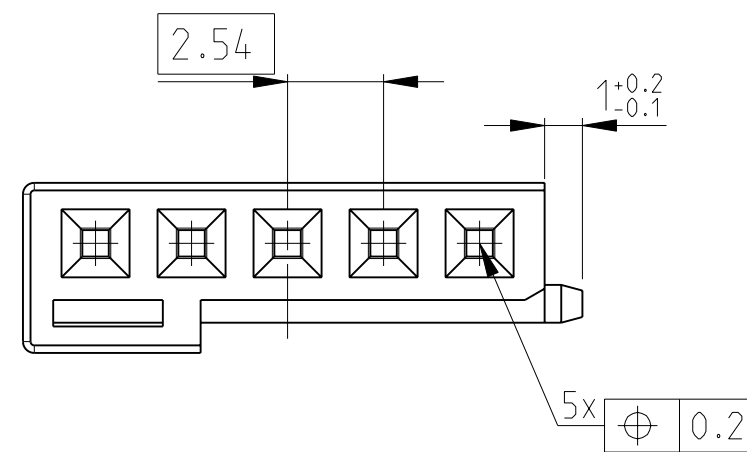
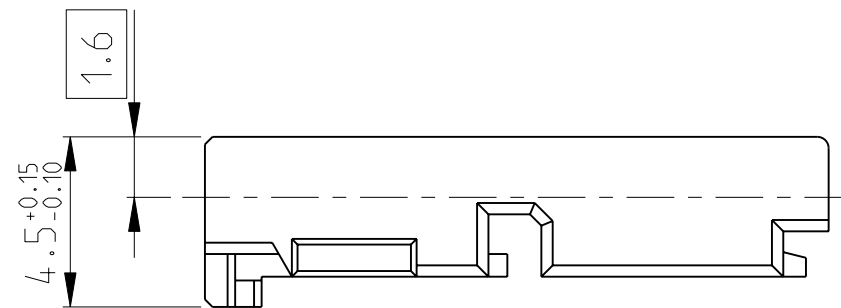
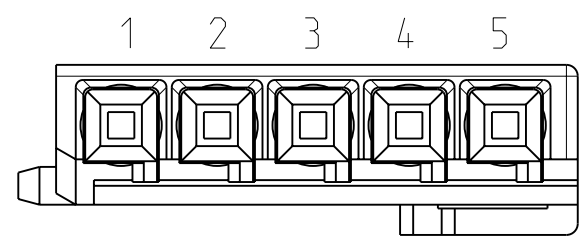
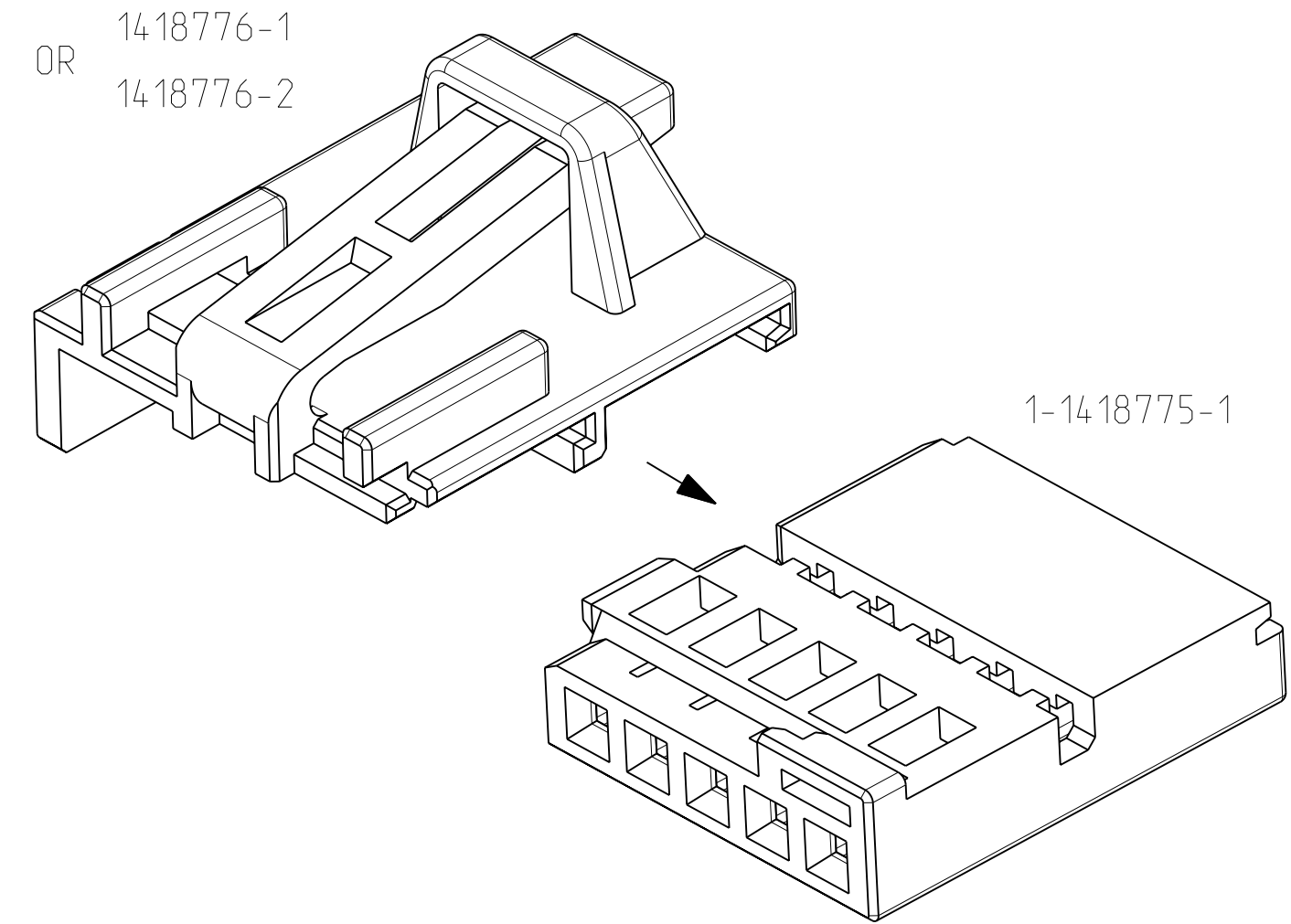
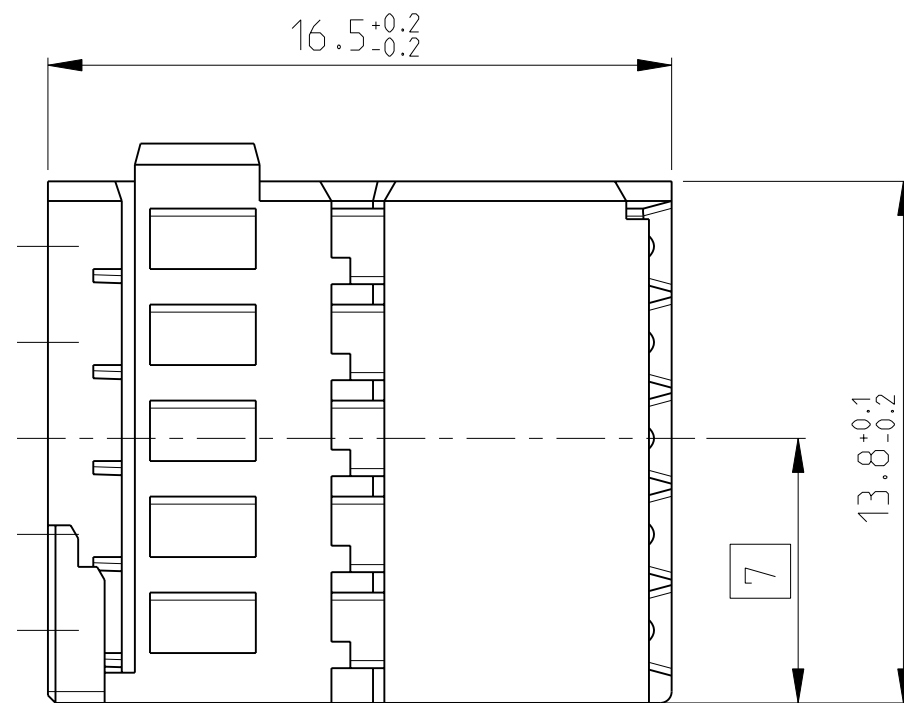


THIS DRAWING IS UNPUBLISHED. VERTRAULICHE UNVERÖFFENTLICHTE ZEICHNUNG. RELEASED FOR PUBLICATION. FREI FUER VERÖFFENTLICHUNG. 2007. MATED WITH: PASSEND ZU: BY TYCO ELECTRONICS CORPORATION. ALL RIGHTS RESERVED. ALLE RECHTE VORBEHALTEN. COPYRIGHT 2007.

LOC	DIST	REVISIONS					
A1	-	P	LTR	DESCRIPTION	DATE	DWN	APVD
PROJEKT NR.: EGATN02178		A1		NEW DRAWING	19JUL2007	PS	-
		A2		1-1418775-1 was black	24OCT2007	BL	-
		A3		1418776-2 IN TABLE ADDED	04SEP2008	Zayc	-
		A4		DRAWING ERROR	01DEC2009	RD	-



1:1



Notes

- 1 SUITABLE PIN HOUSING SEE DRAWING 1418778
- 2 SUITABLE CONTACTS: 1355717 , 9289999, 963715

Bemerkungen

- 1 Passendes Stiftgehäuse: siehe Zeichnung 1418778
- 2 Passende Kontakte: 1355717 , 9289999, 963715

A3

1-1418775-1	A	PBT-GF10	BLACK / schwarz	9011	1418776-2 1418776-1
PART-NO. Bestell-Nr.	REV.	MATERIAL	COLOUR Farbe	RAL	USED WITH benutzt mit

THIS DRAWING IS A CONTROLLED DOCUMENT FOR TYCO ELECTRONICS CORPORATION. IT IS SUBJECT TO CHANGE AND THE CONTROLLING ENGINEERING ORGANIZATION SHOULD BE CONTACTED FOR THE LATEST REVISION.		DWN P. Spohr	19 JUL 2007	tyco Electronics AMP GmbH 64625 Bensheim (Germany)	
DIMENSIONS: MASSE IN HEITEN: (MM)		CHK B. Leonhardt	APVD	NAME 5 POSN. MQS RECEPTACLE HOUSING 5 pol. MQS Buchsengehäuse	
TOLERANCES UNLESS OTHERWISE SPECIFIED: ALLGEMEINTOLERANZEN		PRODUCT SPEC 1418775-1 108-18924		RESTRICTED TO NUR FUER	
MATERIAL SEE TABLE		APPLICATION SPEC 114-18630		SIZE A2	CAGE CODE 00779
FINISH/SOBERFLÄCHE/FARBE SEE TABLE		WEIGHT GEWICHT		DRAWING NO. ZEICHNUNGS-NR. 1418775	REV A4
		CUSTOMER DRAWING		SCALE MASSSTAB 5:1	SHEET BLATT 1 OF 1