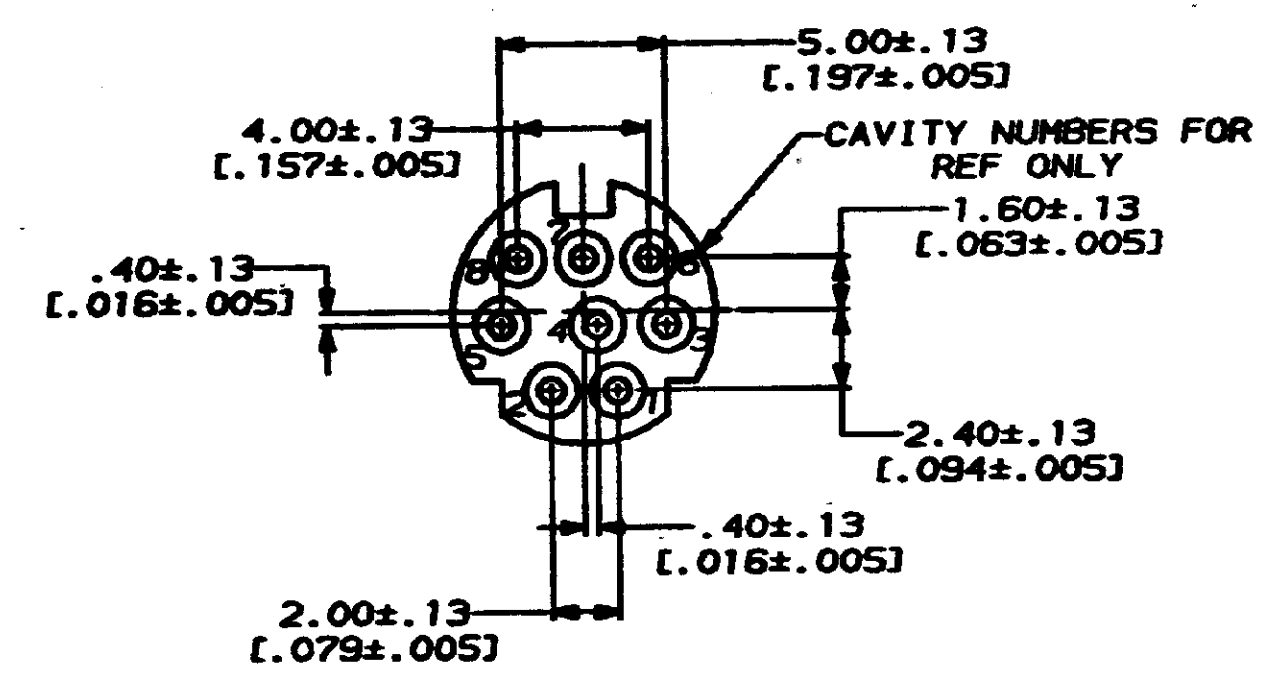
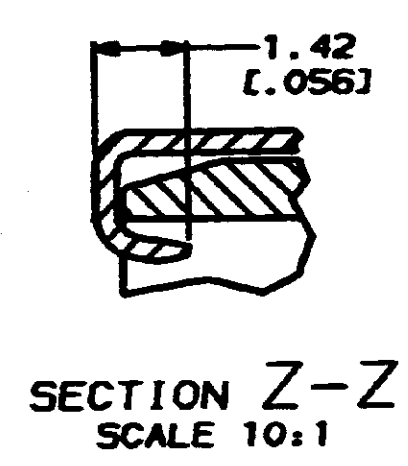
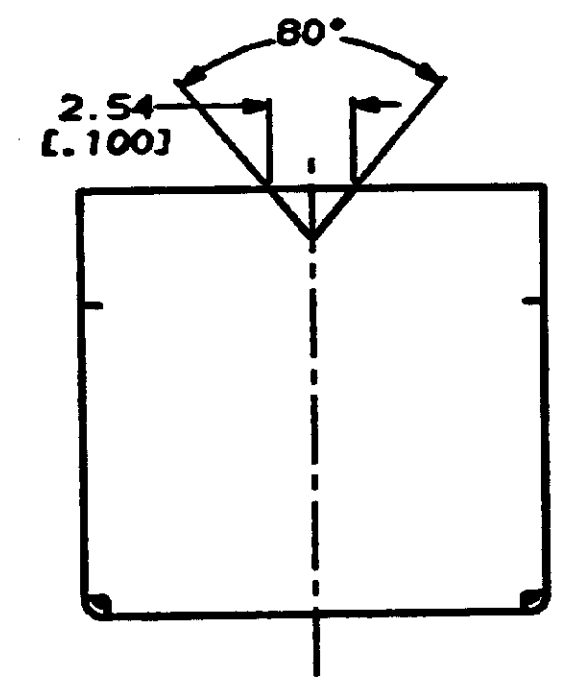
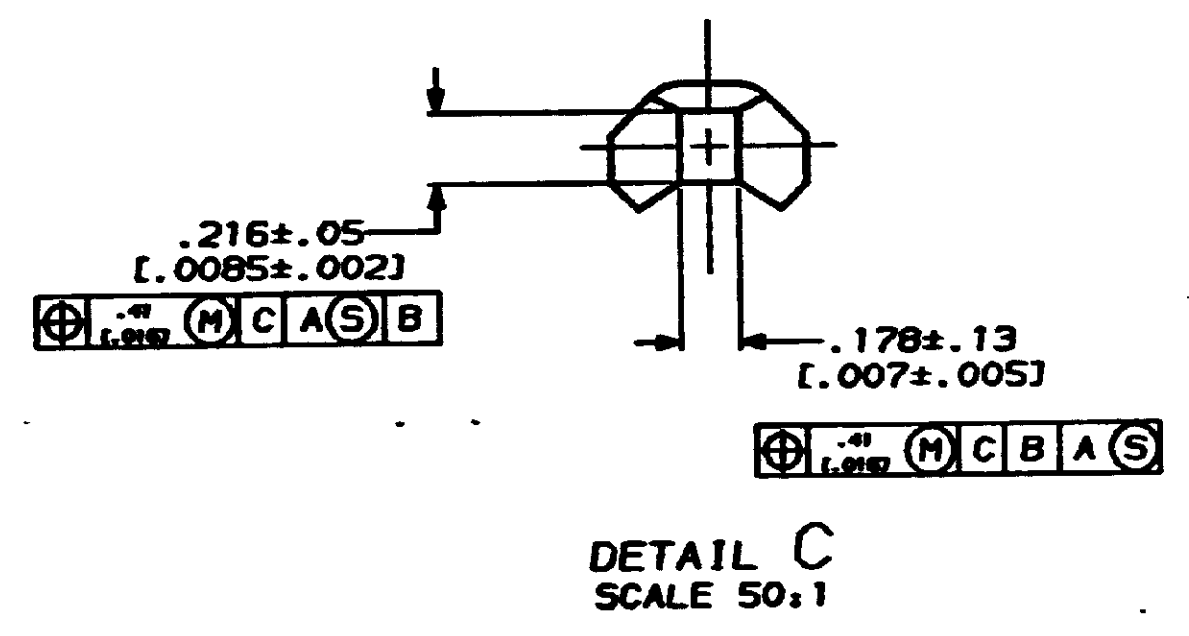
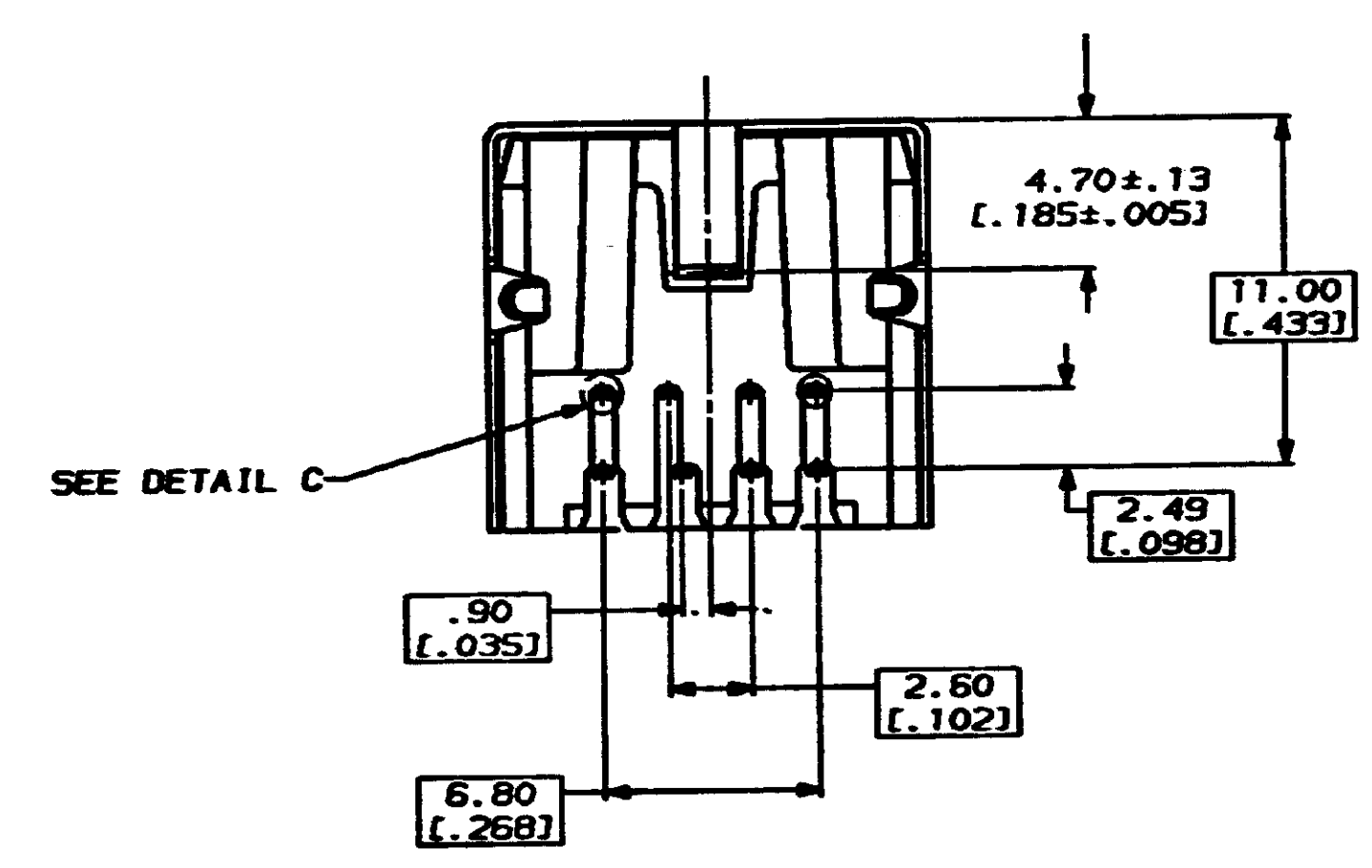
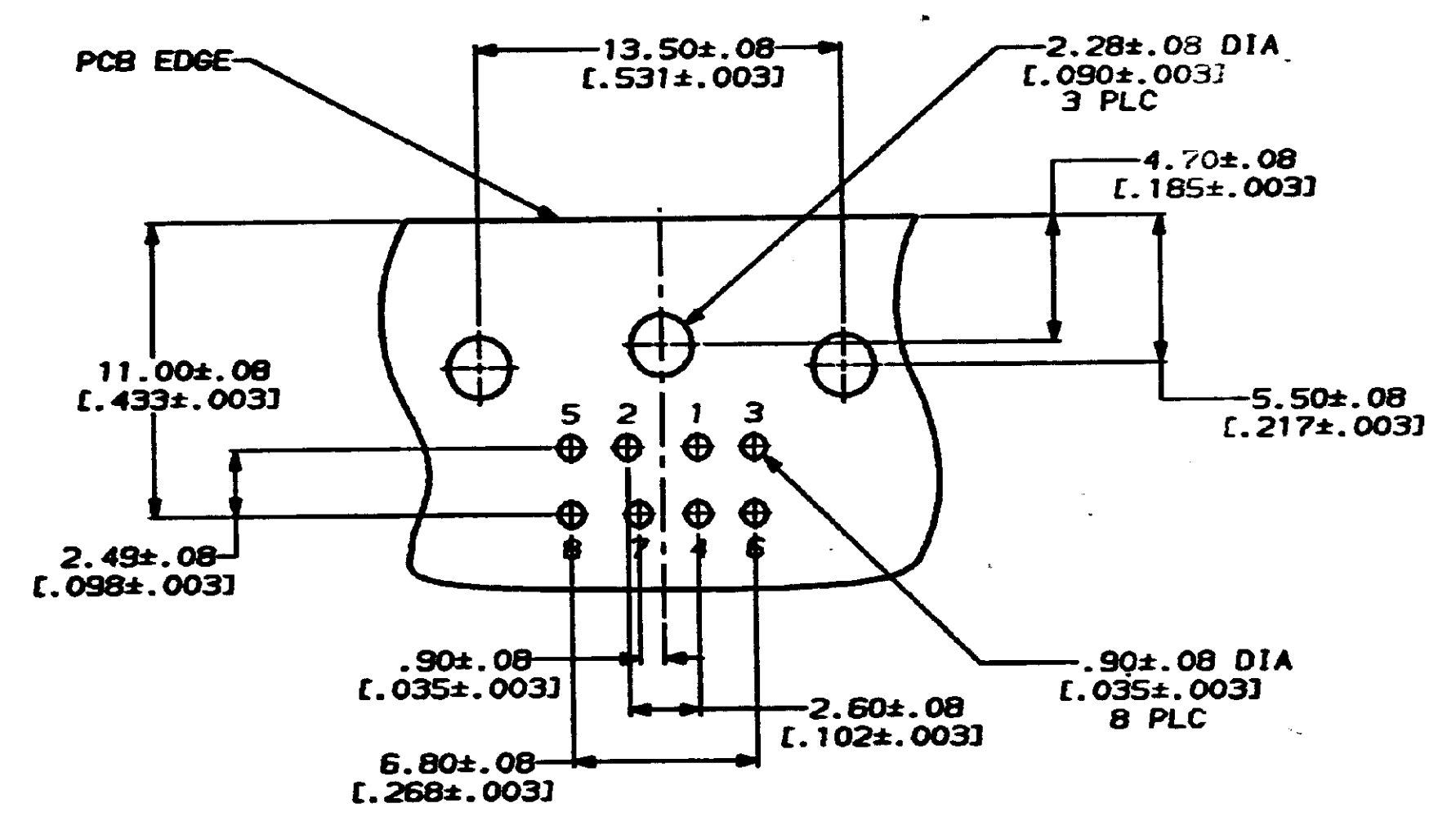
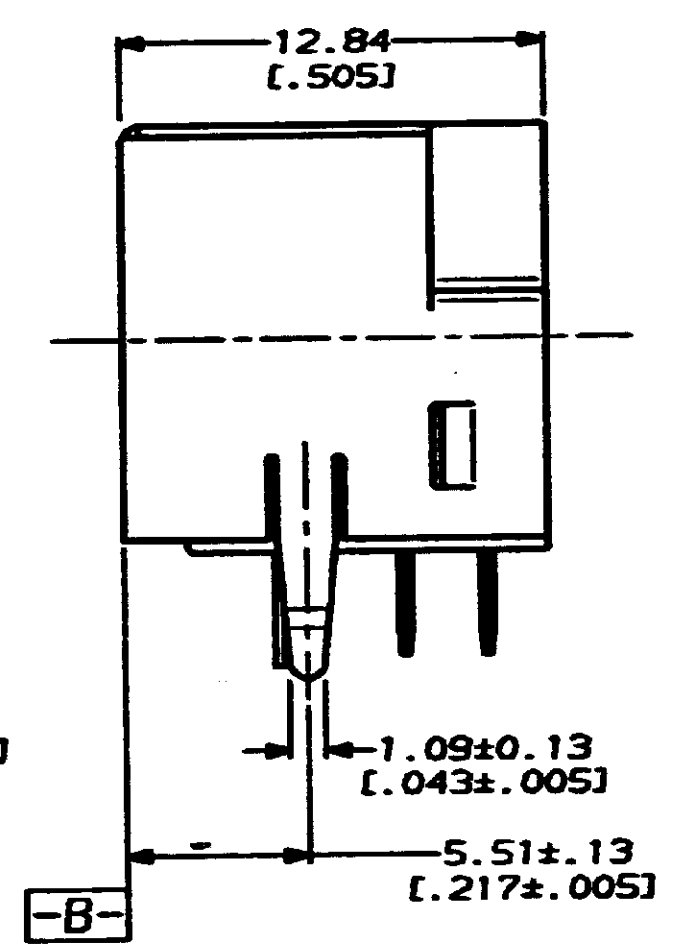
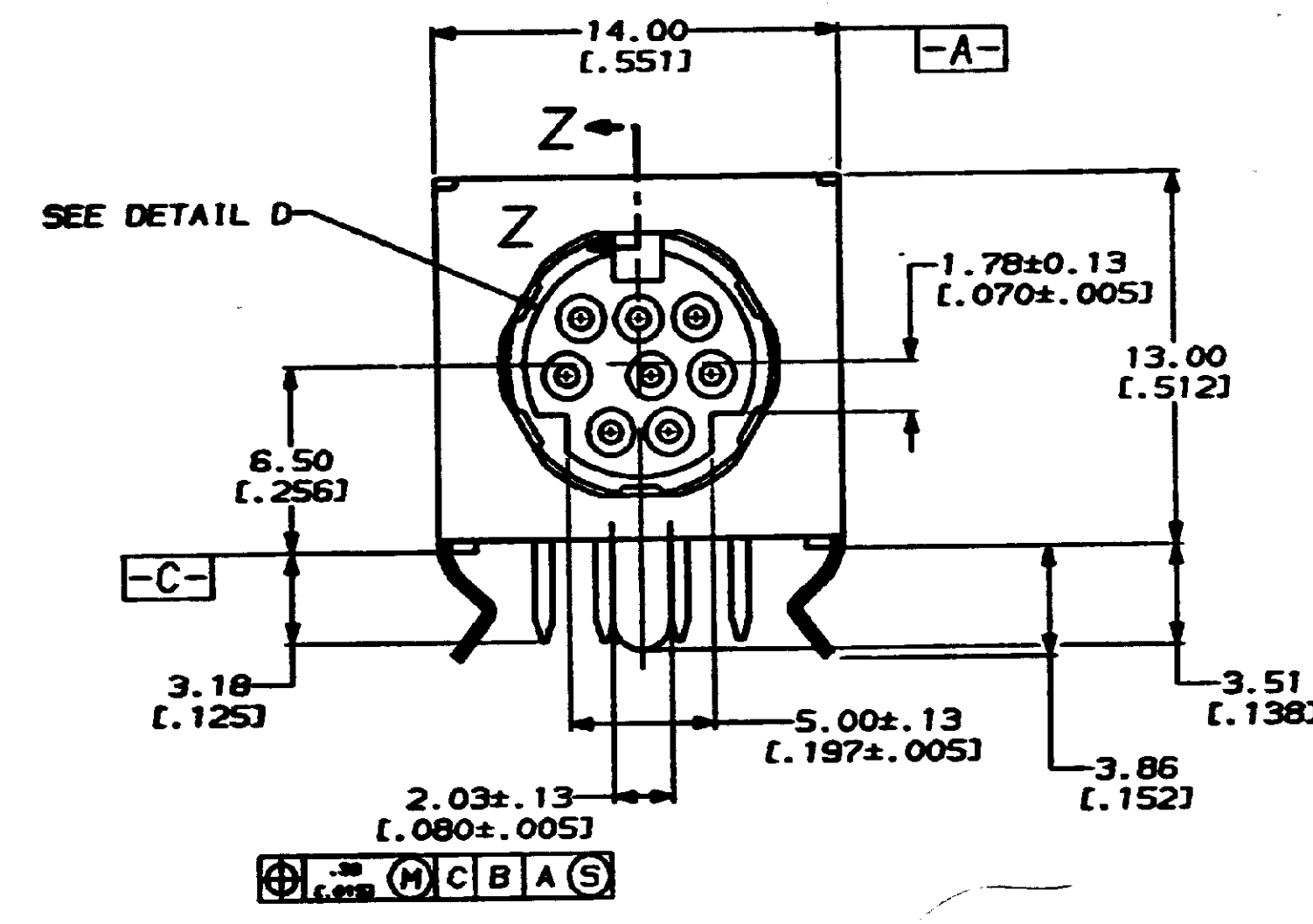


REV. NO.		DATE	DESCRIPTION	BY	APP'D
0	18	BD	39		
0			RLSE NPR 2275 MAS 88-4837-21		
A			REVISED ECN-BD2959		RW
B			REVISED ECN BD3043		RW
C			REV PER ECN BD5426		RW



- DIMENSIONS IN BRACKETS ARE IN INCHES.
- MATERIAL:
 RECEPTACLE CONTACTS - PHOSPHOR BRONZE.
 RECEPTACLE SHIELD - COPPER ALLOY.
 HOUSING - UL RECOGNIZED 94V-0 RATED THERMOPLASTIC, COLOR: BLACK.
- PLATING:
 RECEPTACLE CONTACTS - GOLD FLASH PLATED ON MATING END, TIN-LEAD PLATED .0030 MIN [.000120 MIN] THICK ON SOLDER TAIL ALL OVER .0013 MIN [.000050 MIN] THICK NICKEL.
- PLATING:
 RECEPTACLE SHIELD - .0025 MIN [.000100 MIN] THICK BRIGHT TIN-LEAD OVER .00076 MIN [.000030 MIN] THICK NICKEL.
- RECEPTACLE ASSEMBLY MATES WITH 8 PIN 9.00 +/- .10 [.354 +/- .004] DIAMETER PLUG.



DO NOT SCALE PRINT. UNLESS SPECIFIED DIMENSIONS IN INCHES AND TOLERANCES ON: 2 PLC DEC * * 3 PLC DEC * 0.381 [.015] ANGLES * 0°30'		DR 1-24-89 P. COBROS CHK 1-24-89 C. OHL APPD 1-24-89 B. H. ROSSER APPD 1-24-89 E. C. MYERS	AMP INCORPORATED Harrisburg, Pa. 17105	
MATERIAL: -A- FINISH: -A-A-		PRODUCT SPEC: 108-1225	RECEPTACLE ASSY W/SHLD DOWN, 8 POS, RIGHT ANGLE, MINIATURE CIRCULAR DIN	
APPLICATION SPEC: -		SIZE: D	FSCN NO: 00779	DRAWING NO: 749232
WEIGHT: -		SCALE: 5:1	SHEET 1 OF 1	

CUSTOMER DRAWING