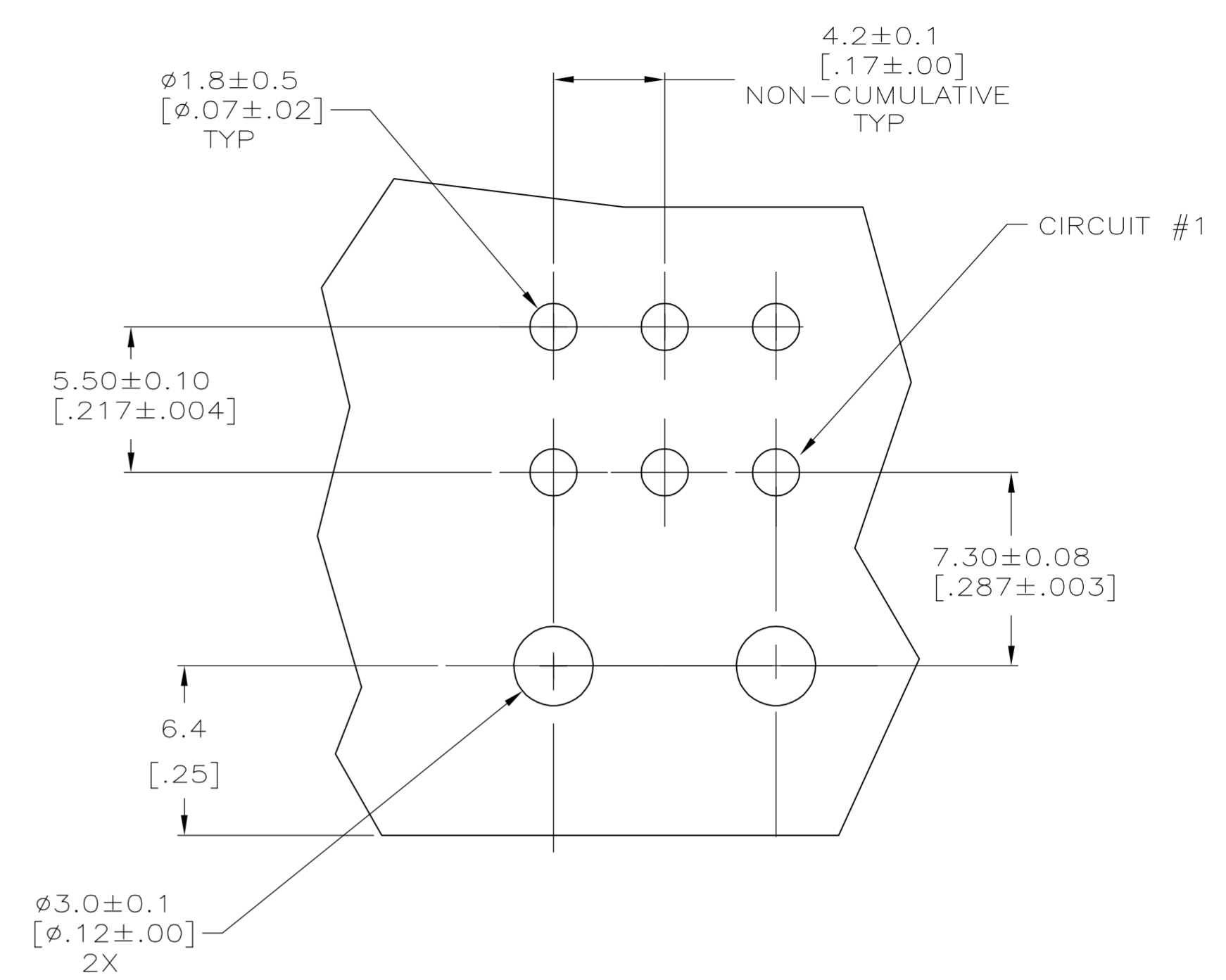
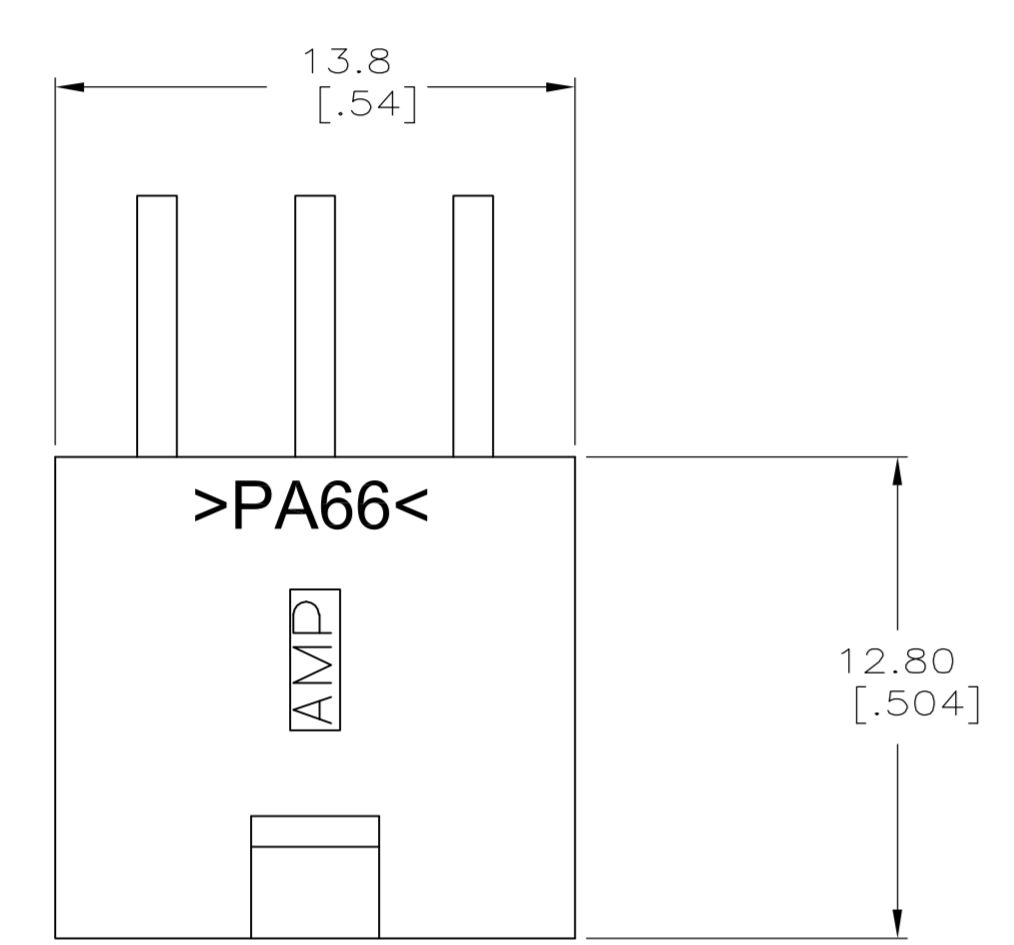
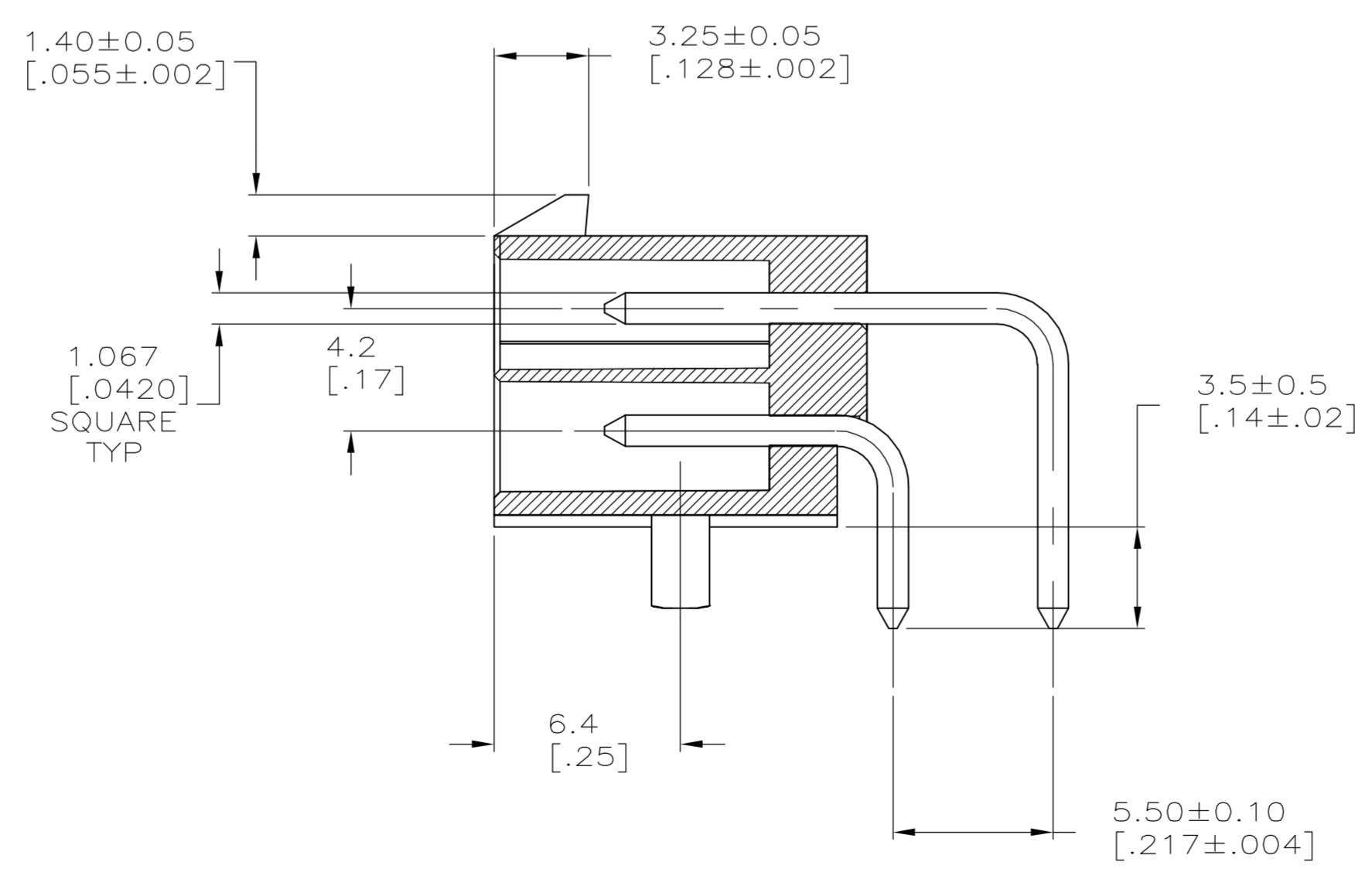
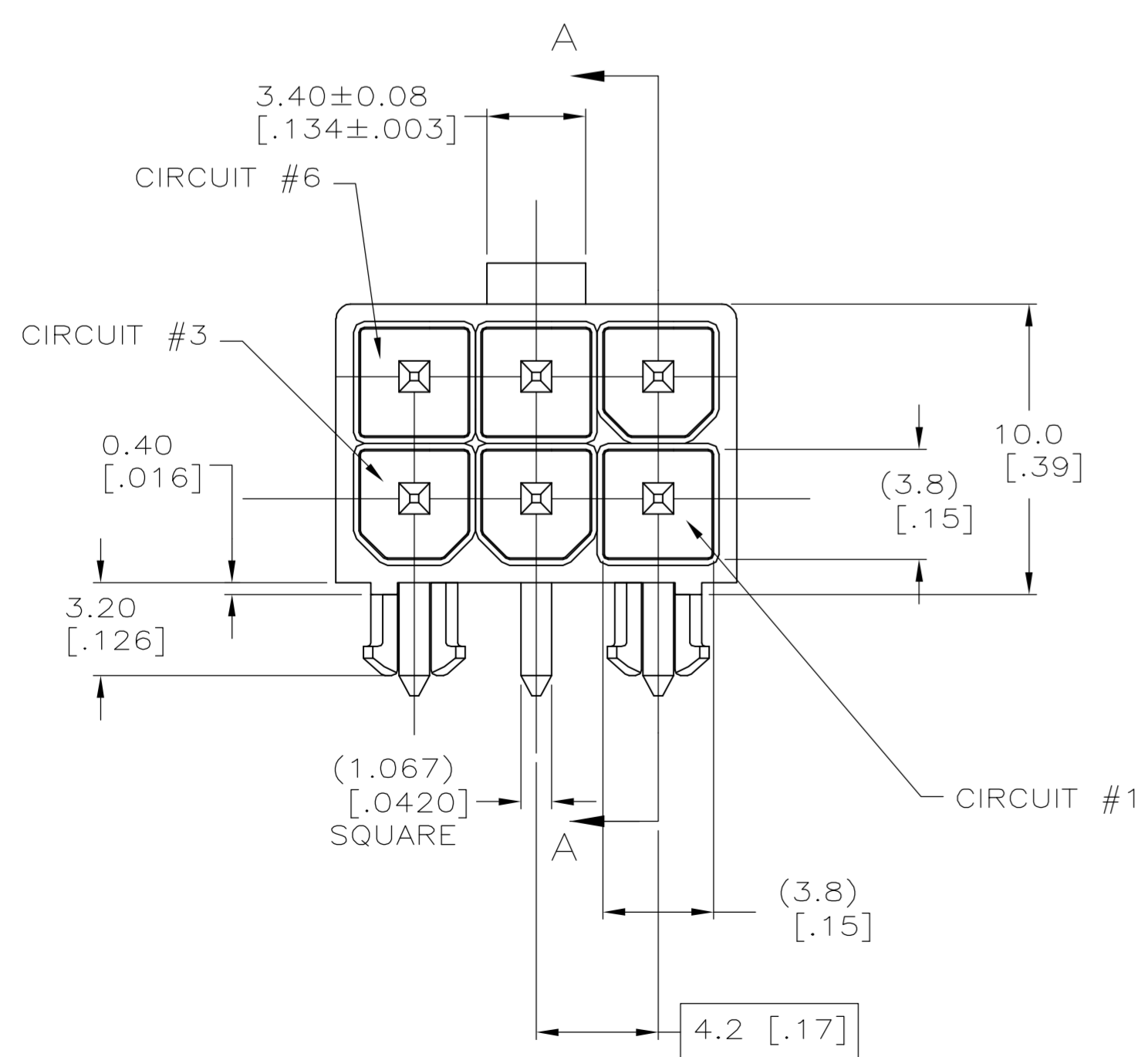


- 1 MATERIAL: HOUSING - NYLON, UL94V-2 (COLOR - NATURAL).
PIN - 1.067mm² [.0017in²] COPPER ALLOY.
- 2 PINS TO COMPLY WITH SOLDERABILITY SPEC 109-11-3.
- 3 0.00381 [.000150] MINIMUM TIN LEAD OVER 0.00127 [.000050] MINIMUM NICKEL, ENTIRE LENGTH OF PIN.
- 4 NOTE DELETED.
- 5 0.00381 [.000150] MINIMUM TIN OVER 0.00127 [.000050] MINIMUM NICKEL, ENTIRE LENGTH OF PIN.



RECOMMENDED MOUNTING HOLE PATTERN FOR 1.78 [.070] MAX THICK P.C. BOARD COMPONENT SIDE SHOWN



SECTION A-A

SUPERSEDED BY 1-794448-1

1	5	1	1	1-794448-1
1	3	1	1	794448-1
MATERIAL		FINISH		ASSEMBLY
PIN		HOUSING		

METRIC

THIS DRAWING IS A CONTROLLED DOCUMENT.

DIMENSIONS:	mm [INCHES]	TOLERANCES UNLESS OTHERWISE SPECIFIED:	0 PLC ± .02 [0.1]	1 PLC ± .013 [0.05]	2 PLC ± .013 [0.05]	3 PLC ± .013 [0.05]	4 PLC ± .013 [0.05]	ANGLES: ± 0° 30'	
MATERIAL	SEE CHART	FINISH	SEE CHART	DWN S. HOOVER 02-MAR-2005		CHK D. COLEY 02-MAR-2005		APVD D. COLEY 02-MAR-2005	
CUSTOMER DRAWING				SCALE 5:1		SHEET 1 OF 1		REV D	

tyco Electronics Corporation Harrisburg, Pa 17105-3608

ASSEMBLY, HEADER, RIGHT ANGLE, 6 POSITION, W/PEGS, 94V-2, AMP-DUAC (TM) POWER CONNECTOR

108-1646 APPLICATION SPEC 114-6067

SIZE CASE CODE DRAWING NO. A1 00779 C=794448