

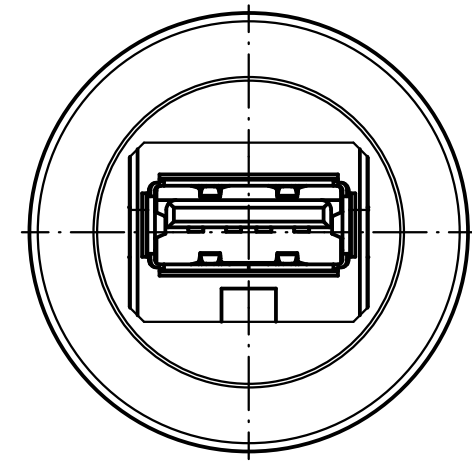
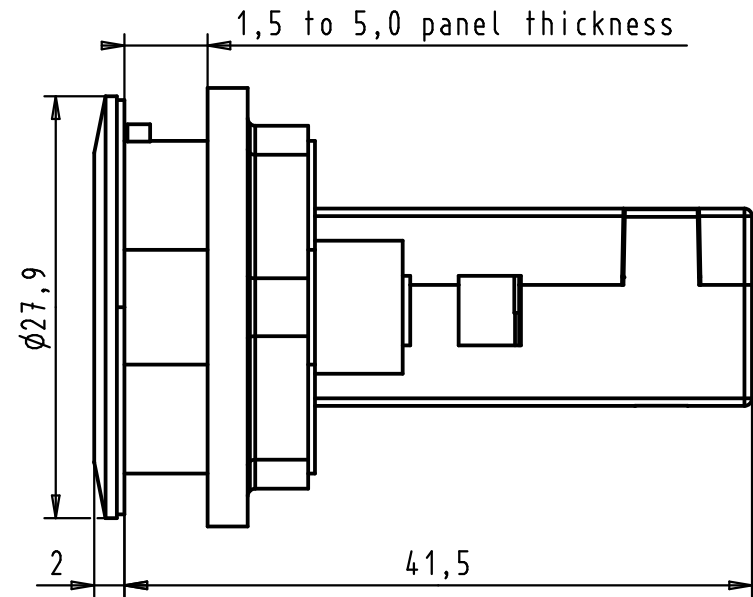
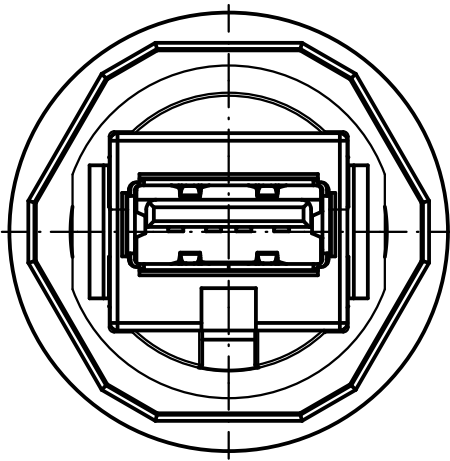
1 2 3 4 5 6

A

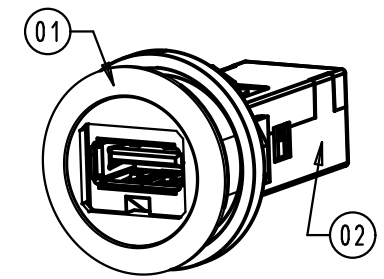
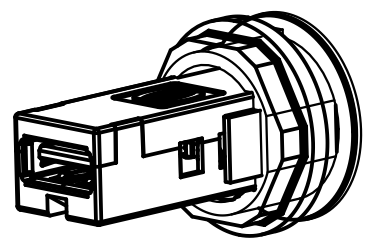
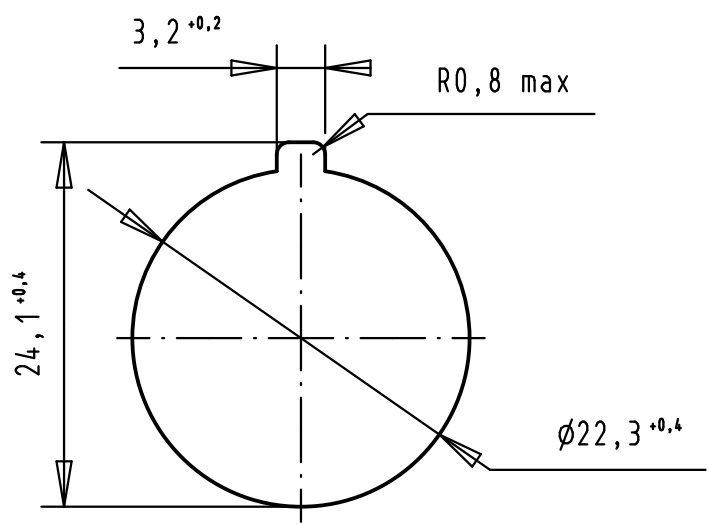
B

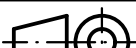

C

D



PANEL CUT DIMENSIONS:



02	1	USB 2.0 HIFF BULKHAED COUPLER TYPE A-A			09 45 545 1901		
01	1	HPP housing easyinstall			09 45 452 0000		
			Dot.	Name	 har-port USB 2.0 A-A coupler	Maßstab/ Scale	
		Detail.	26/JAN/11	BH		All Dim. in mm Orig. Size DIN A 4	2:1
		Insp.	29/02/12	JB			
		Stand.					
36291	29/02/12	SD	HARTING EURL F-95972 Paris		 TB 09 45 452 1901	Blatt/ Page	
36227	15-FEB-11	BH				1 / 1	
36224							
Mod.	Dot.	Name			Sub.		