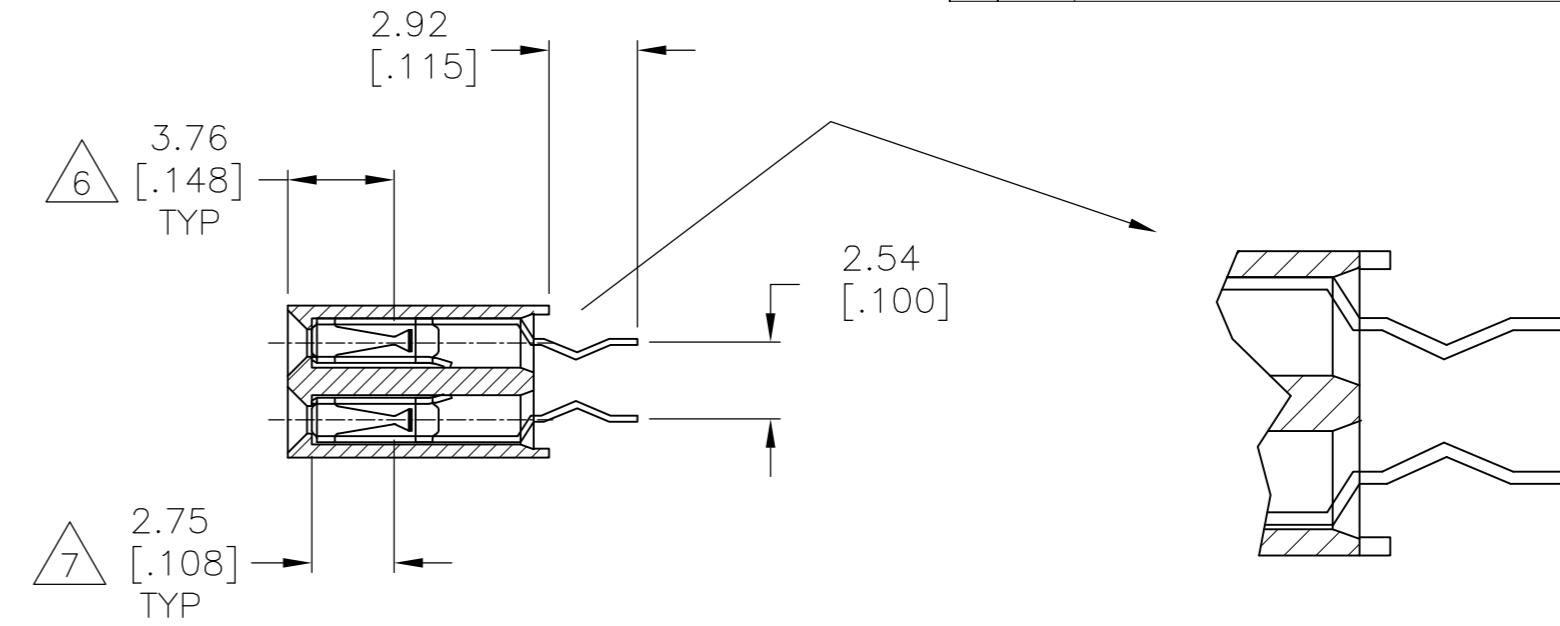
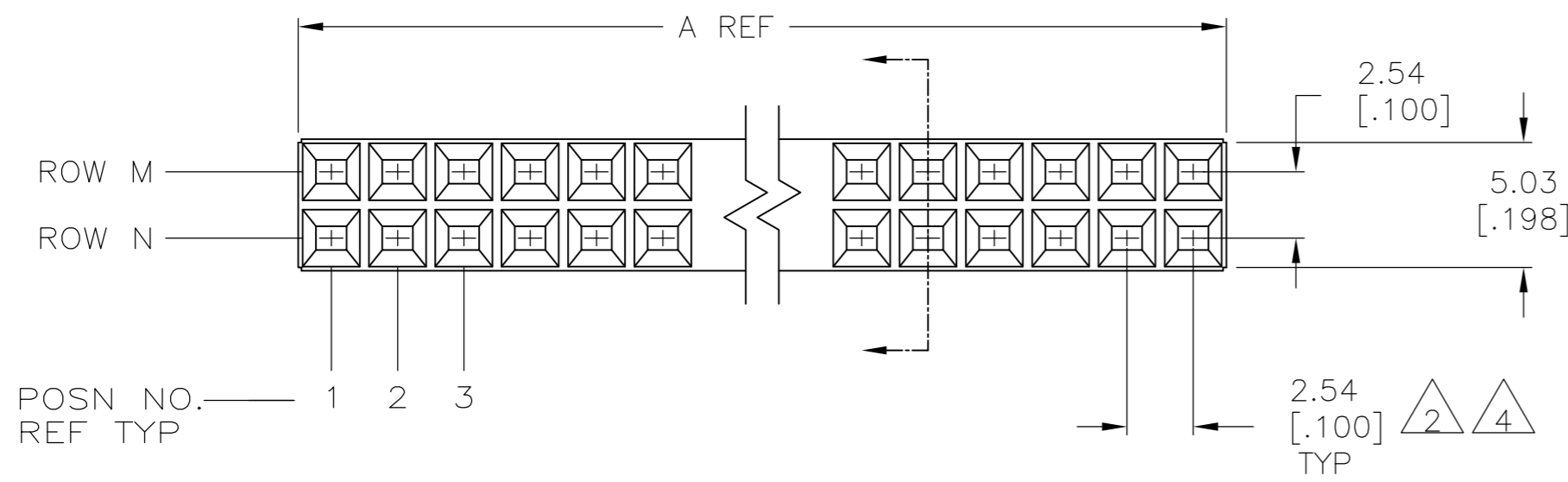
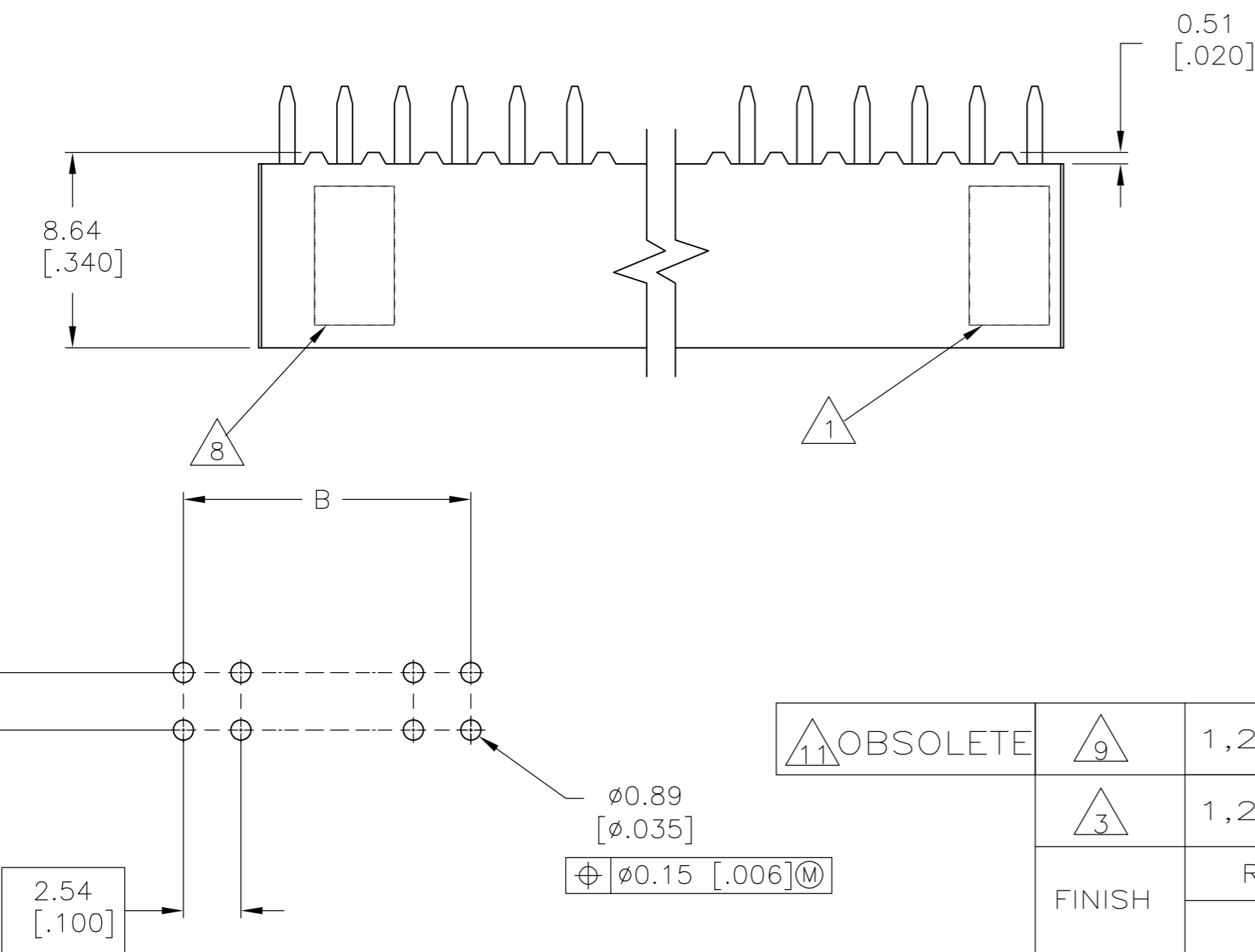


THIS DRAWING IS UNPUBLISHED. RELEASED FOR PUBLICATION
 © COPYRIGHT BY TYCO ELECTRONICS CORPORATION. ALL RIGHTS RESERVED.

LOC	DIST	REVISIONS			
P	LTR	DESCRIPTION	DATE	DWN	APVD
AD	00				
	E	EC 0G3C 0845 04	03FEB05	BSV	JRO
	E1	REVISED PER ECO-09-021826	03SEP09	KK	AEG



BOARD RETENTION FEATURE



1. TYCO LOGO AND CSA LOGO ARE MOLDED INTO HOUSING.
2. TOLERANCE NON-CUMULATIVE
3. DUPLEX PLATED: 0.000762[.000030] GOLD IN CONTACT AREA, 0.00381-0.00762[.000150-.000300] BRIGHT TIN-LEAD ON TINES, ALL OVER 0.00127[.000050] MIN NICKEL
4. THESE DIMENSIONS PERTAIN TO CAVITY CENTERLINES ONLY, NOT TO CONTACT LOCATIONS.
5. HOUSING: GLASS FILLED, FLAME RETARDANT POLYESTER; COLOR-BLACK CONTACT: PHOSPHOR BRONZE
6. POINT OF CONTACT MEASUREMENT.
7. POINT OF MEASUREMENT FOR PLATING THICKNESS. (INCLUDES CONTACT BEAM)
8. PART NUMBER AND DATE CODE ARE MARKED IN APPROXIMATE LOCATION SHOWN.
9. DUPLEX PLATED: 0.000762[.000030] GOLD IN CONTACT AREA, 0.00381-0.00762[.000150-.000300] MATTE TIN, ALL OVER 1.27 [.000050] MIN NICKEL
10. ROHS 2002 /95/EC COMPLIANT.
11. OBSOLETE PARTS: OBSOLETE CIS STREAMLINING PER D.RENAUD/D.SINISI

FINISH	ROW M	ROW N	ROW M	ROW N	A	B	NO OF POSN	PART NUMBER	
11 OBSOLETE	9	1,2,13,14	1,2,13,14	NONE	3	35.56 [1.400]	33.02 [1.300]	28	10 5-146148-1
	3	1,2,13,14	1,2,13,14	NONE	3	35.56 [1.400]	33.02 [1.300]	28	146148-1

RECOMMENDED HOLE LAYOUT

THIS DRAWING IS A CONTROLLED DOCUMENT.

DWN	J KNAUB	8-6-94	 Tyco Electronics Corporation Harrisburg, Pa 17105-3608							
CHK	A GABANY	8-8-94								
APVD	A GABANY	8-8-94								
PRODUCT SPEC	NAME									
APPLICATION SPEC	NAME		RECPT. ASSY., MOD II, .100 X .100 S.P.O.C.,							
MATERIAL	5	FINISH	9							
WEIGHT	-		SIZE	A2	CAGE CODE	00779	DRAWING NO	C=146148	RESTRICTED TO	-
CUSTOMER DRAWING			SCALE	4:1	SHEET	1	OF	1	REV	E1