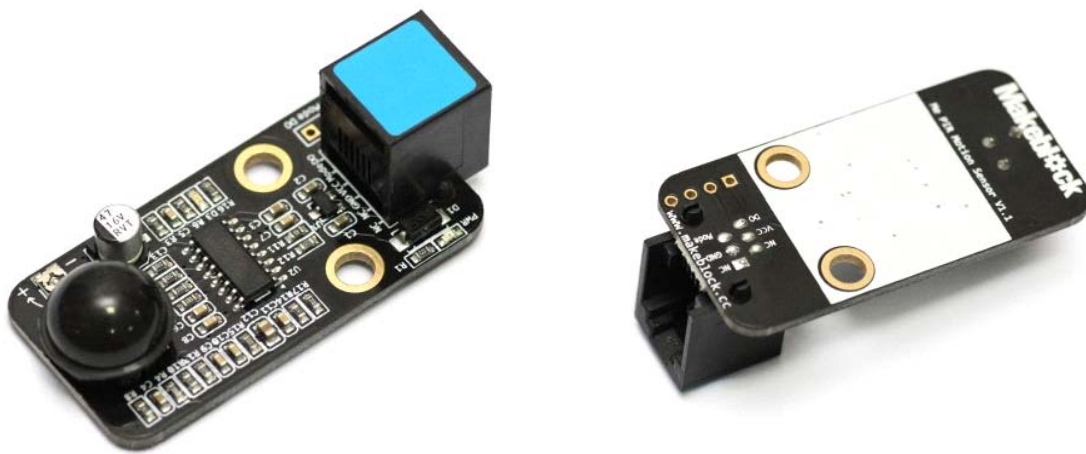




# Me PIR Motion Sensor



## Overview

The Me PIR Motion Sensor is a module designed to detect the infrared radiation emitted from the human or animal body. Its maximum induction range is 6 meters. When motion is detected within this range, the DO pin outputs an effective signal that causes a blue LED on the board to light up. The blue ID on the module indicates it has a double-digital port and must be connected to the blue ID port on the Makeblock Orion.

# Technical specifications

- Operating voltage: 5V DC
- Output voltage: 5 V/high level, 0 V/low level
- Trigger signal: 5 V/high level
- Retention time: 2 second
- Detection angle: 120°
- Distance detected: max. 6 m
- Dimension: 51 x 24 x 18 mm (L x W x H)

# Functional characteristics

- Provide a potentiometer which sensitivity is adjustable
- Built-in two-way amplitude discriminator for interference suppression
- Operate in two modes: repeatable trigger (default) and non- repeatable trigger
- White area of module is the reference area to contact metal beams
- Support mBlock GUI programming, and applicable to users of all ages
- Adopt RJ25 port for easy connection
- Provide pin-type port to support most development boards including Arduino series

# Pin definition

The port of Me PIR Motion Sensor has four pins, and their functions are as follows:

No.	Pin	Function
1	GND	Grounding
2	VCC	Power supply
3	Mode	Detect the mode
4	DO	Digital signal output

# Wiring mode

- Connecting with RJ25

Since the port of Me PIR Motion Sensor has blue ID, you need to connect the port with blue ID on Makeblock Orion when using RJ25 port. Taking Makeblock Orion as example, you can connect to ports No. 3, 4, 5, and 6 as follows:

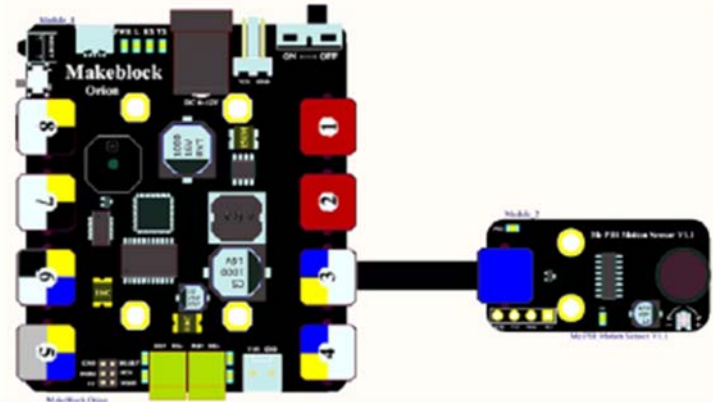


Figure 1 Connecting Me PIR Motion Sensor to Makeblock Orion

- Connecting with Dupont wire

When the Dupont wire is used to connect the module to the Arduino UNO Baseboard, its Mode and DOP pins should be connected to digital ports as follows:

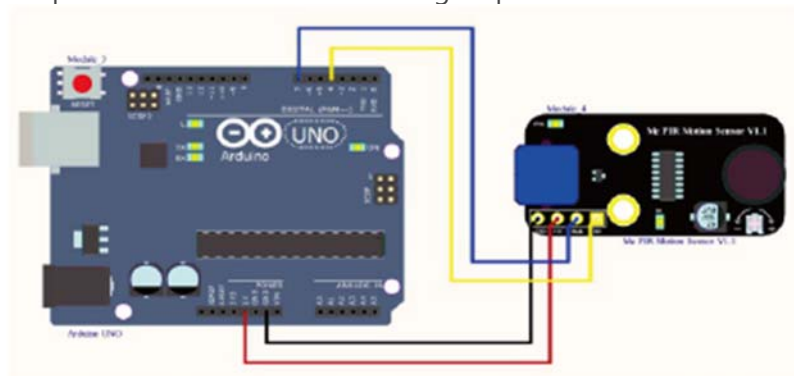


Figure 2 Connecting Me PIR Motion Sensor to Arduino UNO

# Guide to programming

- Arduino programming

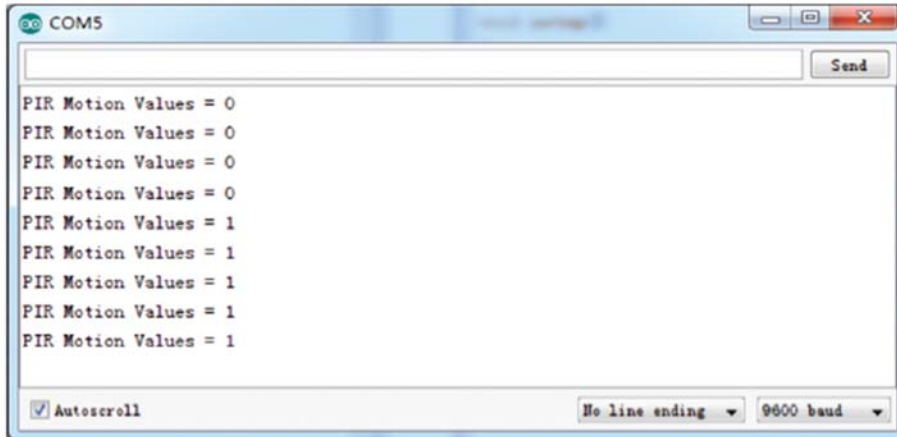
If you use Arduino to write a program, the library Makeblock-Library-master should be invoked to control the Me PIR Motion Sensor. This is a routine to identify if there is anyone or anything moving nearby by this module through Arduino programming.

```
01 #include "MeOrion.h"
02 #include <Wire.h>
03 #include <SoftwareSerial.h>
04
05 MePIRMotionSensor myPIRsensor(PORT_6);
06
07 void setup()
08 {
09     Serial.begin(9600);
10 }
11
12 void loop()
13 {
14     Serial.print("PIR Motion Values = ");
15     Serial.println(myPIRsensor.isPeopleDetected());
16     delay(100);
17 }
18
19
```

**Function List of Me PIR Motion Sensor**

Function name	Function
MePIRMotionSensor (uint8_t port)	Select a port
isPeopleDetected()	Detect if there is anyone moving nearby

The function of the code segment is: to read the result detected from the DO pin to identify if there is someone nearby, and output 1 if yes or 0 if no. The result is output to the serial monitor in Arduino IDE every 100ms. Upload the code segment to Makeblock Orion and click the Arduino serial monitor, and you will see the running result as follows:



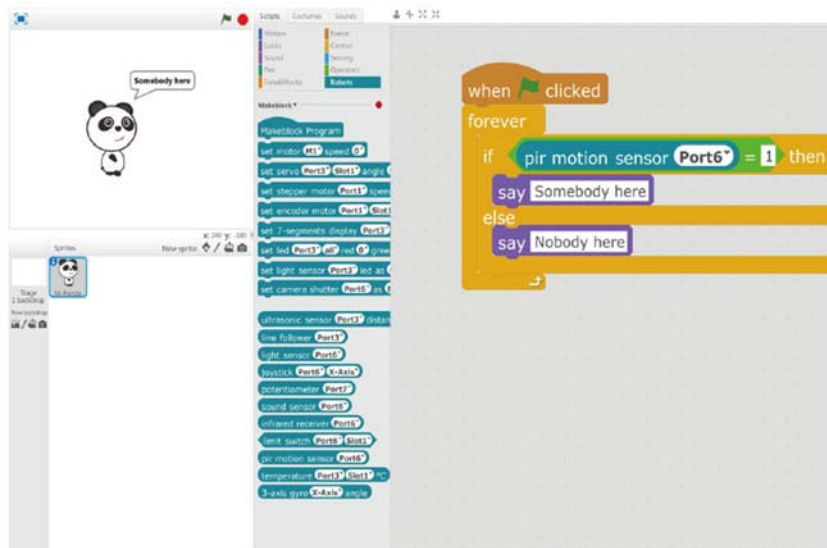
- **mBlock programming**

Me PIR Motion Sensor supports the mBlock programming environment and its instructions are introduced as follows:

Programming description	Description
	Parameters: Select a port Function: Read the detected result (0 or 1)

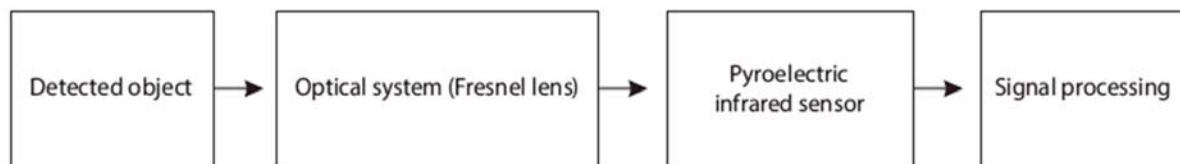
This is an example on how to use mBlock control the Me PIR Motion Sensor.

If the detected result from the module is nobody is moving, the panda will say "Nobody is playing with me!" Otherwise, the panda will say "Somebody is playing with me!" The running result is as follows:



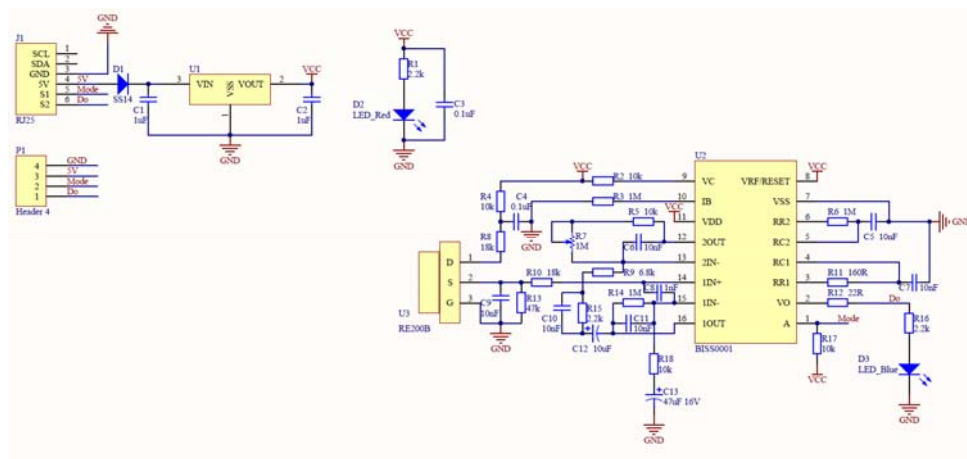
# Principle analysis

Me PIR Motion Sensor adopts a specific PIR chip BISS0001 which is a sensor with the ability to detect the infrared radiation emitted from human or animal body and output electrical signal. It is a kind of digital-analog hybrid application-specific integrated circuit (ASIC) comprised of operational amplifier, voltage comparator, state controller, delay timer and block timer. When the radiation of human body is focused on the detector of pyroelectric infrared sensor by the Fresnel lens, the sensor in the circuit will output the voltage signal to identify the movement of human nearby. Its structure diagram is as follows:



This module has a potentiometer which can be used to adjust the detection range. The level of Mode pin can be controlled to select the operating mode. When it is in high level, the module can be triggered repeatedly for real-time induction. When it is in low level, the module is in non-repeatable trigger mode. If somebody is moving in the induction range, the module is triggered and maintained for a period of time. In this period, the state will not be interfered whether there is somebody moving in the deduction range.

# Schematic



## 3 THOUGHTS ON “ME PIR MOTION SENSOR”

1. **Thales** says:

2016-07-10 at 10:05

After I copy the mBlock code and click run, the sensor doesn't work well. Then I use the Arduino code above, but there is error message:

```
Arduino: 1.6.9 (Mac OS X), Board: "Arduino/Genuino Uno"  
/Users/Thales/Library/Application Support/cc.mblock.3.3.1/Local  
Store/scratchTemp/project____c_6_0/project____c_6_0.ino: In function 'void loop()':  
project____c_6_0:17: error: 'class MePIRMotionSensor' has no member named 'isPeopleDetected'  
Serial.println(myPIRsensor.isPeopleDetected());  
^  
exit status 1  
'class MePIRMotionSensor' has no member named 'isPeopleDetected'
```

Can you help me fix this?

Or is it possible that something goes wrong with my PIR sensor? The red led keeps on and a few times the blue one blinks.

1. **admin** says:

2016-07-11 at 19:47

Hi Thales,

Please download the latest source from the git : <https://github.com/Makeblock-official/Makeblock-Libraries>

1. **admin** says:

2016-07-11 at 19:48

We have changed the isPeopleDetected to isHumanDetected()