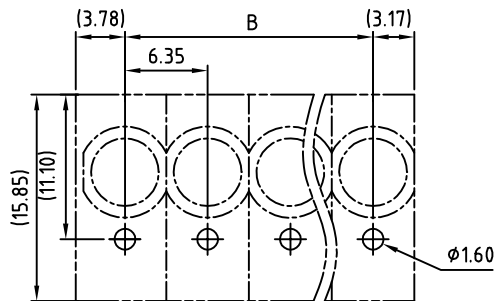


SECTION C-C



PCB LAYOUT

	Dim A	Dim B
2-6p	± 0.20	± 0.15
7-12p	± 0.30	± 0.25
13-16p	± 0.40	± 0.35

N = Number of poles
 Dim A = $N \times 6.35$
 Dim B = $(N-1) \times 6.35$

SIGN	DATE	DESCRIPTION	APPROVER
<i>THIS IS CAD DRAWING, DO NOT REVISE MANUALLY!!!</i>			

Material:

- Insulator(housing):Thermoplastic (UL 94V-0)
- Metal housing: Brass
- Contacts:Brass
- Terminal screw: Steel Zinc plating"-slot type

Electrical

- Voltage rating: 300VAC
- Current rating: 30A
- Wire range:
 - Solid wire(AWG): 10-24
 - Stranded wire(AWG): 10-24
- Torque(Lb-In): 8.9
- Screw: M3.5
- Wire strip length: 8-9mm
- Withstanding Voltage: 1.6KV
- Operating temperature: -40°C to +115°C
- Soldering temperature: 250°C $\pm 10^\circ\text{C}/5$ Sec

RoHS Compliant

PART NUMBER:

OSTKPXX0152

No. of Poles
 02 2 Poles
 03 3 Poles

 12 12 Poles

COLOR
 0: Black
 5: Green (Standard)
 6: Blue
 8: Grey

THESE DRAWINGS AND SPECIFICATIONS ARE THE PROPERTY OF ON-SHORE TECHNOLOGY, INC. AND SHALL NOT BE REPRODUCED, COPIED OR USED IN ANY MANNER WITHOUT THE PRIOR WRITTEN CONSENT OF ON-SHORE TECHNOLOGY, INC.



TITLE		OSTKP 6.35 series - front single row (without cover)			
PART NO.	OSTKPXX0152	DWG NO.	OSTKPXX0152.DWG		
APPROVED	CHECKED	DESIGNED	DRAWN	CUST NO.	Tolerance
Marvin 2009.04.07	Marvin 2009.04.07	Jacke 2008.12.17	Jacke 2008.12.17		X. ± 0.50 X.X ± 0.30 X.XX ± 0.10 X° $\pm 1^\circ$
					UNIT: mm
				SHEET: 01/01	SCALE: NONE
				REV: B	