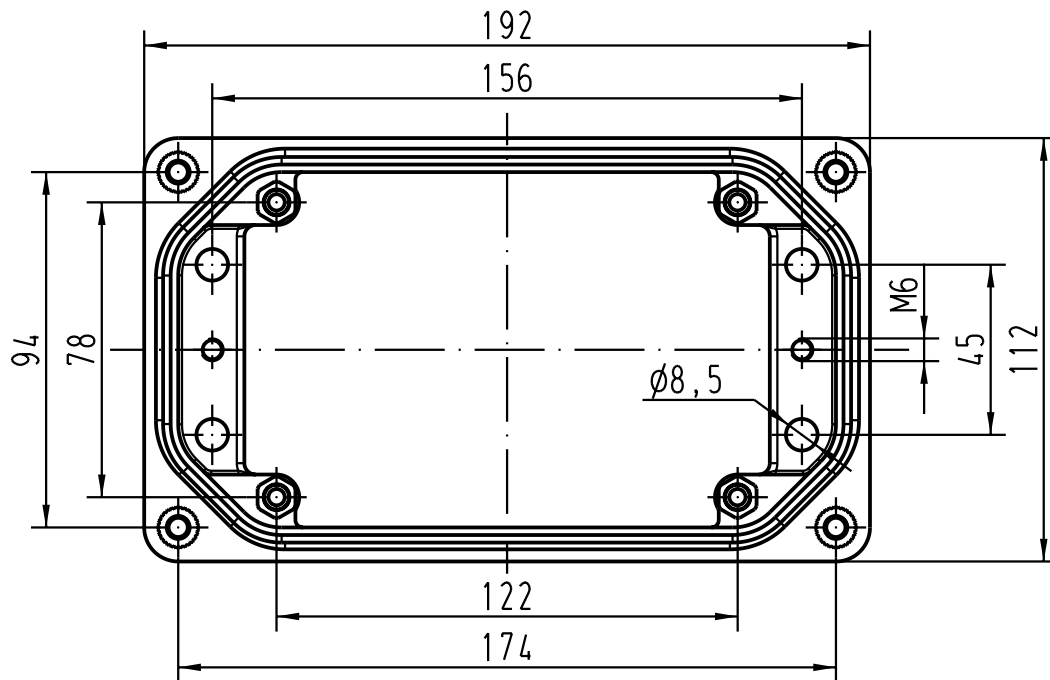
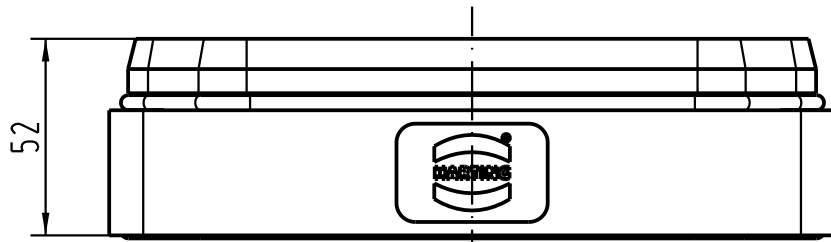
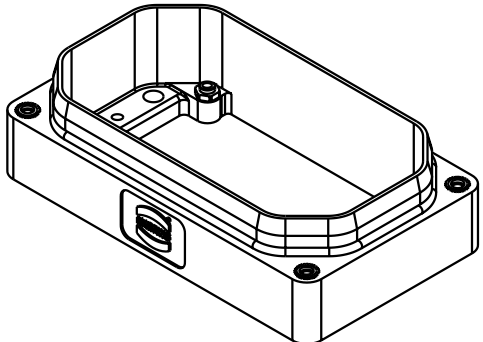
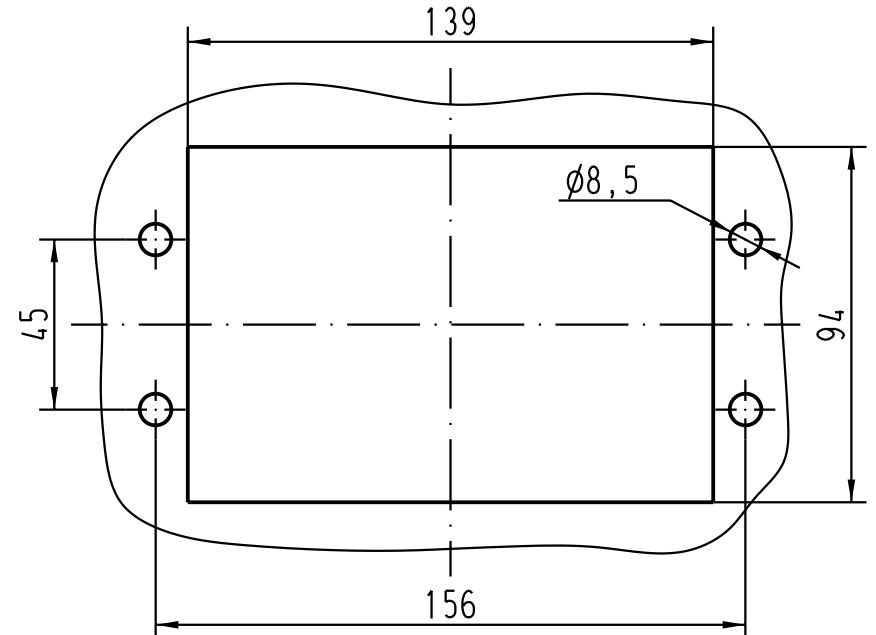


5 4 3 2 1



Montageausschnitt/  
panel cut out



|   |      |                                |                   |      |  |   |
|---|------|--------------------------------|-------------------|------|--|---|
| All Dimensions in mm<br>Original Size DIN A 4 |      | Techn. Character.              |                   |      | Nicht tolerierte Masse/ Free size tolerances |   |
|   |      |                                | Dat.              | Name | Massstab/Scale<br><br><b>1:2</b>             | <b>Han 48HPR-agg</b><br>Anbaugeschäse/<br>housing bulkhead mounting |
|   |      | Detail.                        | 17.11.03          | Leh  |  |   |
|   |      | Insp.                          |                   | Ole  |  |   |
|   |      | Stand.                         |                   |      |  |   |
| 410678  |      | HARTING Electric GmbH & Co. KG |                   |      |  | <b>TB 09 40 048 0311</b>  |
| Mod.  | Dat. | Name                           | D-32339 Espelkamp |      |  |   |
|   |      |                                |                   |      | Sub.   |   |