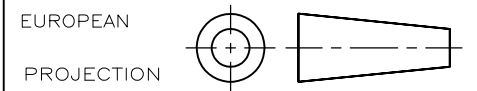


ZEICHNUNG GESCHÜTZT DURCH
 ©COPYRIGHT 1989
 AMP DEUTSCHLAND GMBH
 ALLE RECHTE VORBEHALTEN

REV.	ÄNDERUNG	DATUM	NAME
1	8. HINZU	23.05.89	A.HO
2	ZEICHNUNG IN EUROPEAN PROJECTION GEÄNDERT	30.11.90	A.HO
3	LÖTLÄNGE VON 3 IN 3.1 GEÄNDERT	12.03.92	A.HO
C	VERPACKUNGSANGABE HINZU	15.01.96	F.RDT
D1	NOTE 3 CHANGED	27.02.08	ACK

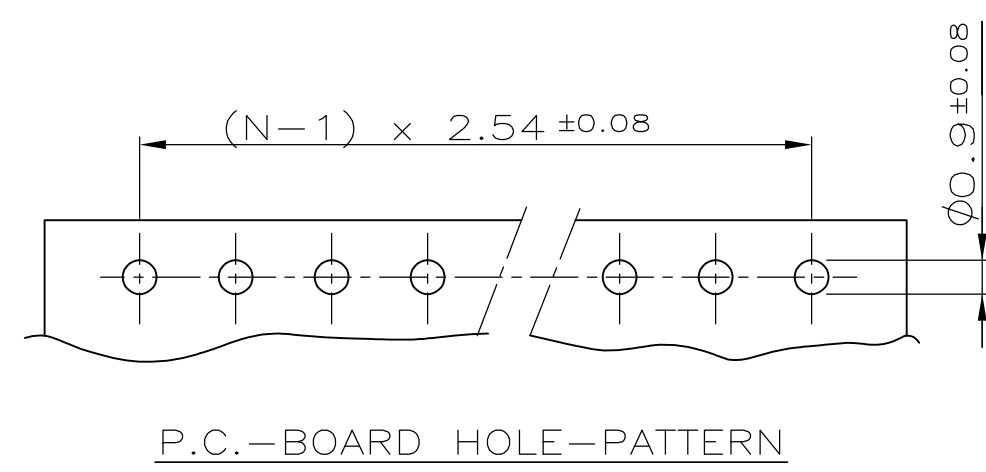
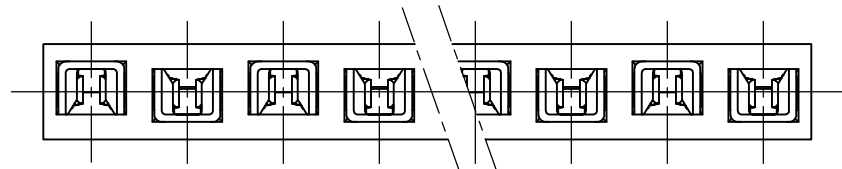
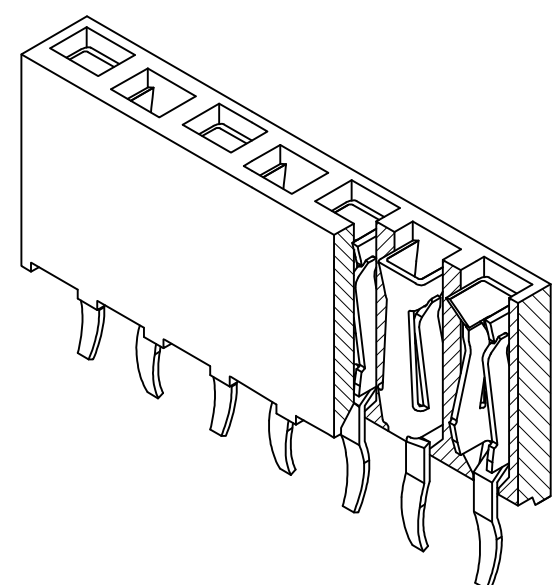
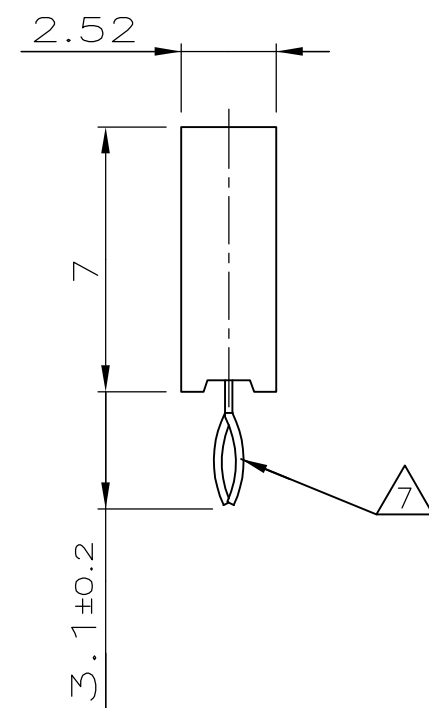
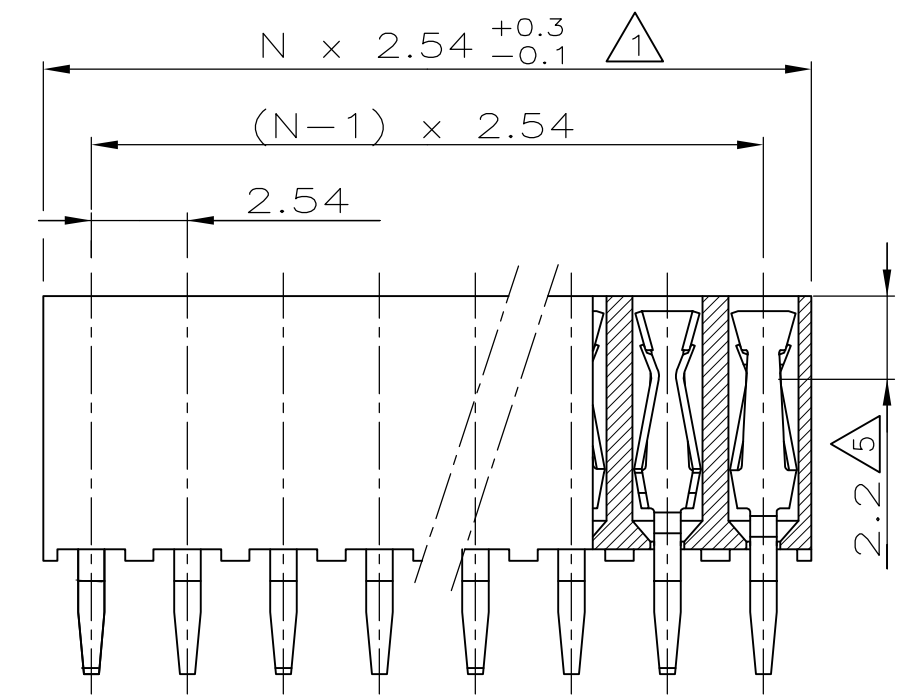
DO NOT SCALE
 DIMENSIONS IN mm

METRIC



NOTES:

1. TO DETERMINE DIMENSIONS TAKE N = NR. OF POS.
 FOR EXAMPLE: 10 POS.: $N \times 2,54 = 25,4$ mm.
 FOR ORDERNR. USE BASIC NR. + NR. OF POS.
 FOR EXAMPLE: 2 POS.= 215 298-2 (SHORTEST VERSION)
 36 POS.= 3-215 298-6 (LONGEST VERSION)
2. HOUSING MATERIAL: GREEN GLASSFILLED POLYESTER,
 UL 94V-0
 CONTACT MATERIAL: PHOSPHORBRONZE.
3. PLATING: $3.0\mu\text{m}$ Sn OVER Ni
4. MATES WITH 0,63 SQUARE/ROUND MODU POSTS.
5. CONTACT-POINT.
6. RECOMMENDED P.C.BOARD-THICKNESS: 1,6.
7. RETENTION FEATURE.
8. RETENTION FORCE MUST BE MIN. 5N PER CONTACT
9. HV100 CONNECTOR PACKED IN ANTISTATIC BLISTER



NICHT TOLERIERTE MASSE	± 0.1mm
MASSTAB	5:1

VERWENDET FÜR E 92-9803	SEE NOTES FINISH	SEE NOTES MATERIAL	SEE NOTES PARTNUMBER
CUSTOMER DRAWING	AMP AMP-HOLLAND B.V. 's-Hertogenbosch, The Netherlands.		
FOR REFERENCE ONLY WILL NOT BE UPDATED	THIS DRAWING IS UNPUBLISHED - © COPYRIGHT 19 87 BY AMP-HOLLAND B.V. ALL INTERNATIONAL RIGHTS RESERVED. AMP PRODUCTS MAY BE COVERED BY U.S. AND FOREIGN PATENTS AND/OR PATENTS PENDING.		
DR. A.HO	DATE 24.02.89	WIRE RANGE -	NAME HV 100 VERTICAL CONNECTOR
CHK. M.SCHAARSCHMIDT	DATE 24.02.89	INSUL.RANGE -	SINGLE ROW, 7,0mm HEIGHT, TOP ENTRY, TIN, MAX. 36 POSITIONS.
APP. G.FELDMEIER	DATE	SIZE A3	SHEET 1 OF 1
		DWG. No.	215298
		REV.DATE	D M Y
			270208
		REV.LTR.	D1

8 | 7 | 6 | 5 | 4 | 3 | 2 | 1