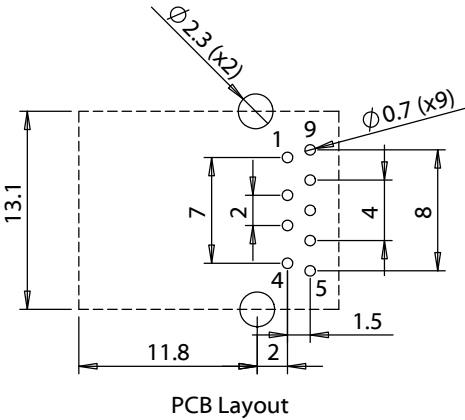
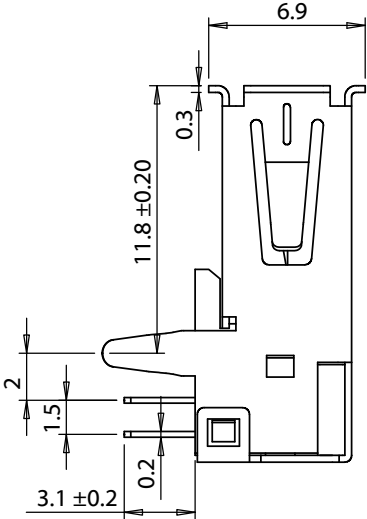
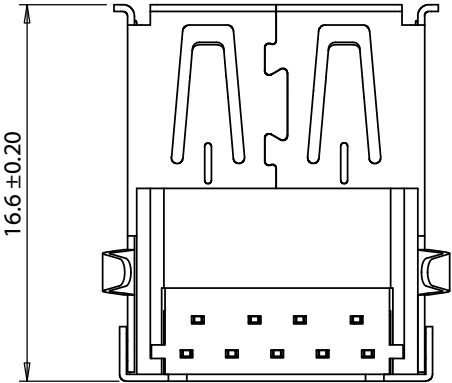
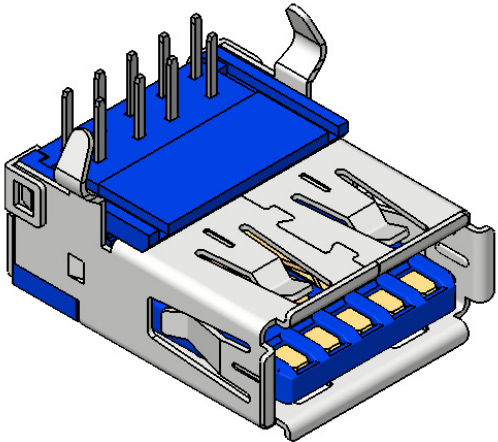
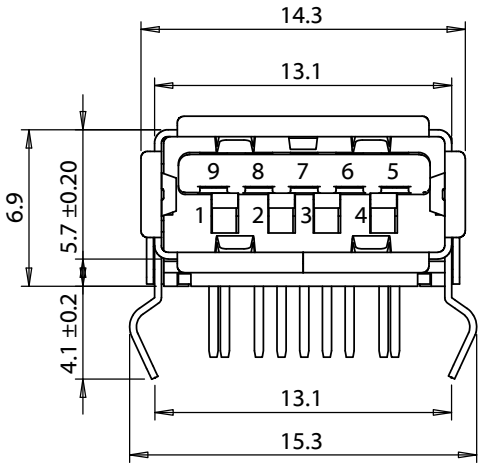


# USB A 3.0 jack 90° PCB mount



NOTES  
RoHS and REACH compliant

# TENSILITY

20802 Sockeye Place #130  
Bend, OR 97701 USA  
tel 541.323.3228 fax 541.323.4202  
800 877.670.7118 www.tensility.com

DIMENSIONS ARE IN MILLIMETERS

TOLERANCES:  
Up to 1.0: ± 0.1 mm  
1.0 to 10.0: ± 0.2 mm  
Over 10.0: ± 0.3 mm

DESCRIPTION:  
Connector, USB A 3.0 Jack, PCB mount, 90°, nickel shell, DIP, board lock, blue insulator

SIZE	PART NUMBER
A	54-00007

SCALE: 3:1	SHEET 1 OF 2
------------	--------------

### Materials

1. Shell, brass, nickel plated
2. Terminal, phosphor bronze, 5 μ" gold and tin plating
3. Terminal, brass, 5 μm gold and tin plating
4. Insulator, PBT, blue

### Electrical

Rated voltage: 30 Vdc  
Rated current: 3 A  
Dielectric strength: 1 min @ 500 Vac  
Insulation resistance: 500 MΩ @ 500 Vdc  
Contact resistance: 50 mΩ or less

### Mechanical

Insertion force: 3.5 kgf maximum  
Withdrawal force: 1.0 kgf minimum  
Durability: 1500 cycle minimum life; less than 100 mΩ contact resistance, minimum 100 MΩ insulation resistance  
Terminal strength: 0.3 kgf in any direction without damage or looseness

### Soldering

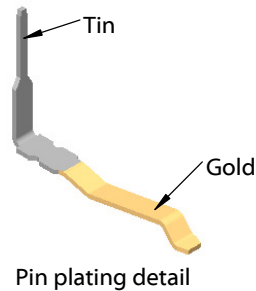
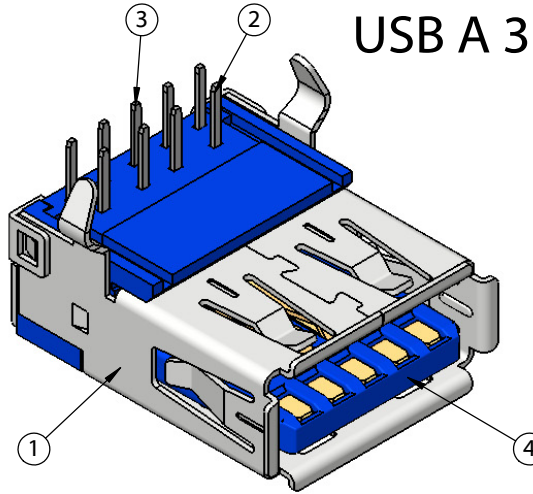
Solderability: 75% minimum coverage when terminals dipped 2 mm in 245 ±5 °C solder bath for 3 ±0.5 seconds  
Solder bath durability: no deformation when immersed in 255 ±5 °C up to surface of the board for 5 seconds or less  
Solder iron durability: no deformation when exposed to 350 ±10 °C for 3 ±0.5 seconds

### Environmental

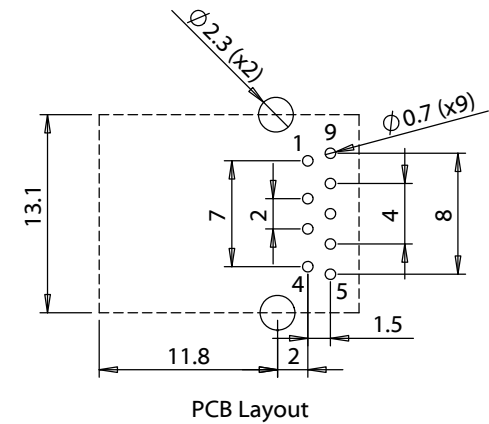
Cold test: -25 ±3 °C for 48 hours without deformation  
Heat test: 70 ±2 °C for 48 hours without deformation  
Humidity test: 40 ±2 °C and humidity between 90 and 98 % for 48 hours without deformation

### Operating range

-10 ~ 60 °C



## USB A 3.0 jack 90° PCB mount



REVISION	DATE	DESCRIPTION
A	9/28/2015	Initial release

PREPARED:
VERIFIED:
DIMENSIONS ARE IN MILLIMETERS
TOLERANCES: Up to 1.0: ± 0.1 mm 1.0 to 10.0: ± 0.2 mm Over 10.0: ± 0.3 mm

NOTES RoHS and REACH compliant
DESCRIPTION: Connector, USB A 3.0 Jack, PCB mount, 90°, nickel shell, DIP, board lock, blue insulator

<h1>TENSILITY</h1>	
20802 Sockeye Place #130 Bend, OR 97701 USA tel 541.323.3228 fax 541.323.4202 800 877.670.7118 www.tensility.com	
SIZE A	PART NUMBER 54-00007
SCALE: 3:1	SHEET 2 OF 2