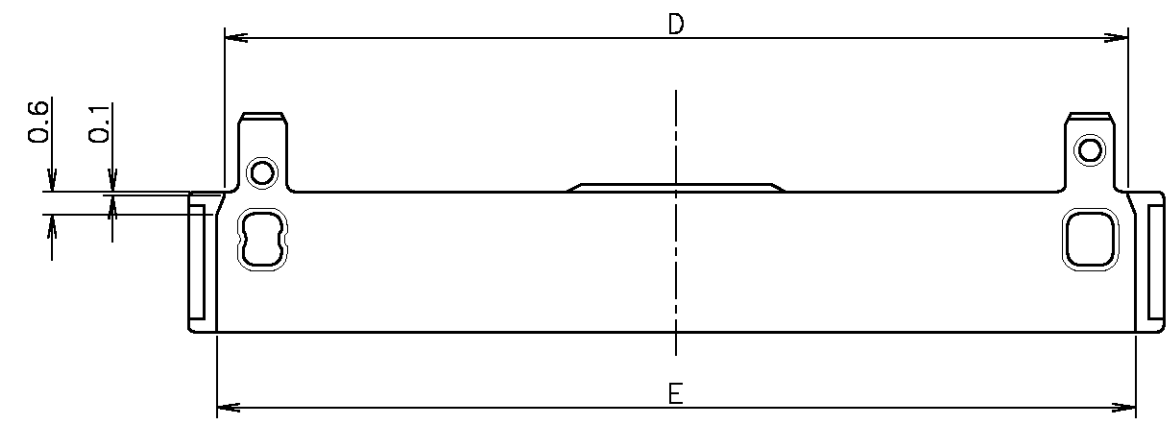
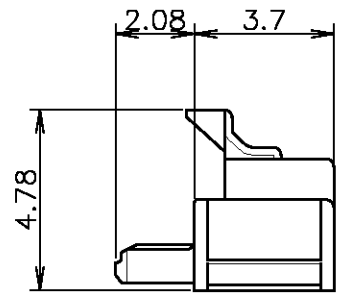
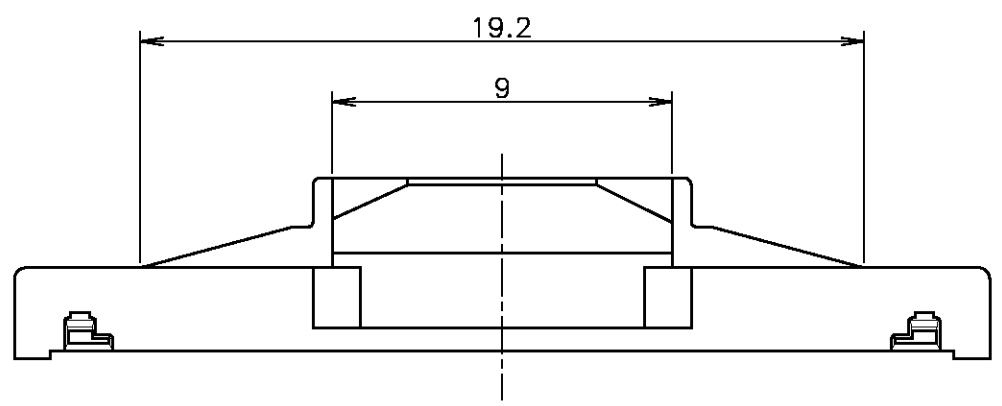
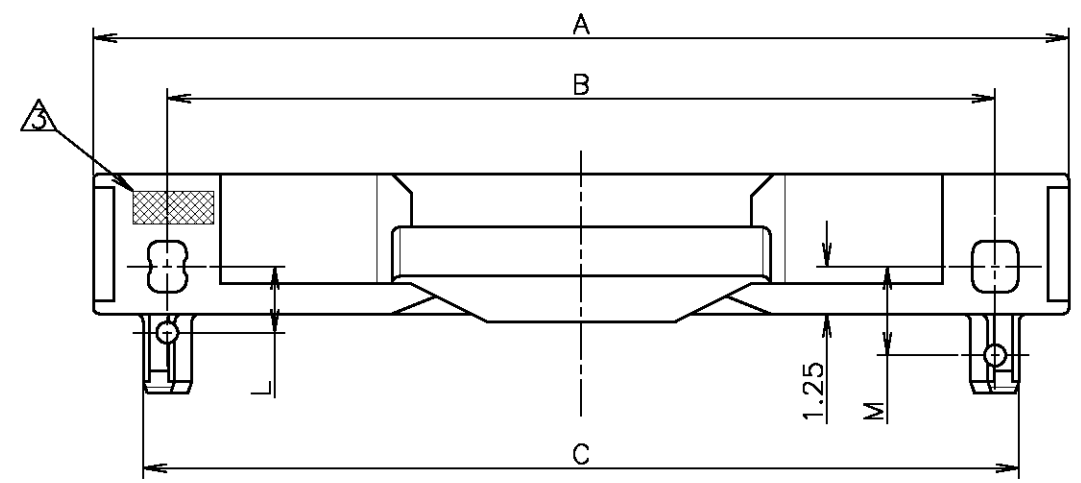


THIS DRAWING IS UNPUBLISHED. RELEASED FOR PUBLICATION  
 © COPYRIGHT - By - ALL RIGHTS RESERVED.

LOC	DIST	REVISIONS					
J		P	LTR	DESCRIPTION	DATE	DWN	APVD
		C		REVISED PER ECR-11-002357	05MAY11	TT	TM

NOTE  
 1 GENERAL TOLERANCE : ±0.3,±3°  
 △ MATERIAL  
 PBT(GRAY,BLACK)  
 △ TE LOGO MARK



COLOR	M	L	E	D	C	B	A	POS	PART NUMBER	NAME
BLACK	1.75	2.35	24.3	23.9	23.16	21.9	25.8	40	1871339-3	COVER B-40 REVERSE TYPE
GRAY	2.35	1.75	44.3	43.9	43.16	41.9	45.8	80	1871339-2	COVER B-80 NORMAL TYPE
GRAY	2.35	1.75	24.3	23.9	23.16	21.9	25.8	40	1871339-1	COVER B-40 NORMAL TYPE

1871339-1,-3:AS SHOWN

THIS DRAWING IS A CONTROLLED DOCUMENT.

DIMENSIONS: 単位: 耗 mm	TOLERANCES UNLESS OTHERWISE SPECIFIED: 一般公差	DWN T.SEKINE 25MAY05	TE Connectivity																				
<table border="1"> <tr><td>0 PLC</td><td>±</td></tr> <tr><td>1 PLC</td><td>±</td></tr> <tr><td>2 PLC</td><td>±</td></tr> <tr><td>3 PLC</td><td>±</td></tr> <tr><td>4 PLC</td><td>±</td></tr> <tr><td>ANGLES</td><td>±</td></tr> </table>	0 PLC	±			1 PLC	±	2 PLC	±	3 PLC	±	4 PLC	±	ANGLES	±	<table border="1"> <tr><td>APVD</td><td>T.FUTATSUGI</td><td>30NOV05</td></tr> <tr><td>PRODUCT SPEC</td><td>製品規格</td><td>108-78322</td></tr> <tr><td>APPLICATION SPEC</td><td>取付適用規格</td><td>411-78220</td></tr> </table>	APVD	T.FUTATSUGI	30NOV05	PRODUCT SPEC	製品規格	108-78322	APPLICATION SPEC	取付適用規格
0 PLC	±																						
1 PLC	±																						
2 PLC	±																						
3 PLC	±																						
4 PLC	±																						
ANGLES	±																						
APVD	T.FUTATSUGI	30NOV05																					
PRODUCT SPEC	製品規格	108-78322																					
APPLICATION SPEC	取付適用規格	411-78220																					
MATERIAL 材料	FINISH 仕上	WEIGHT	SIZE A3	CAGE CODE 00779	DRAWING NO 番号 C-1871339	RESTRICTED TO																	

CUSTOMER DRAWING

SCALE 5:1 SHEET 1 OF 3 REV C

4

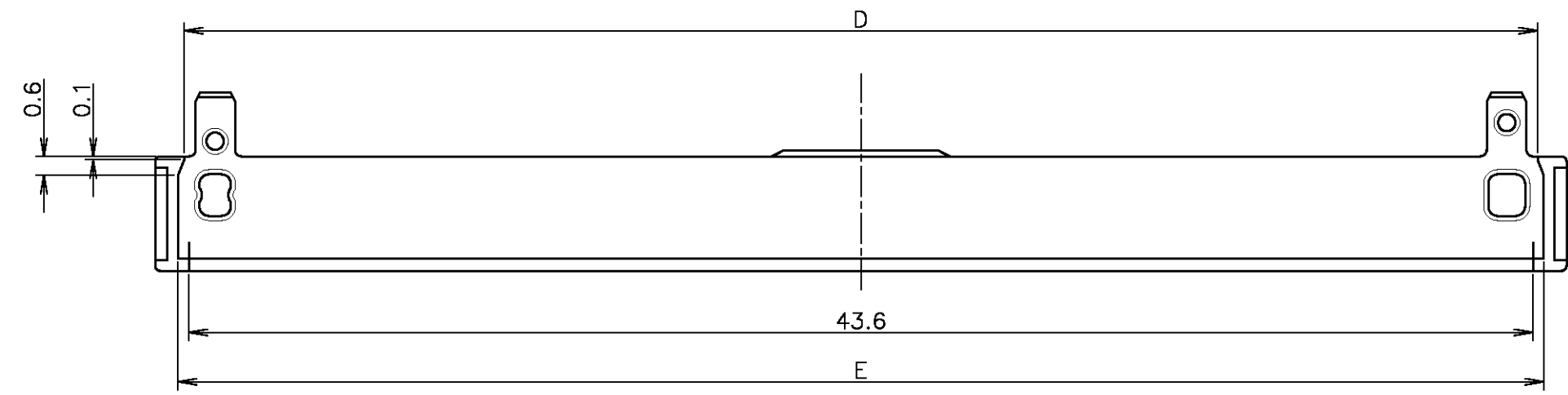
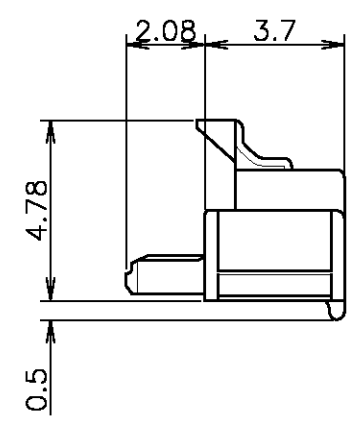
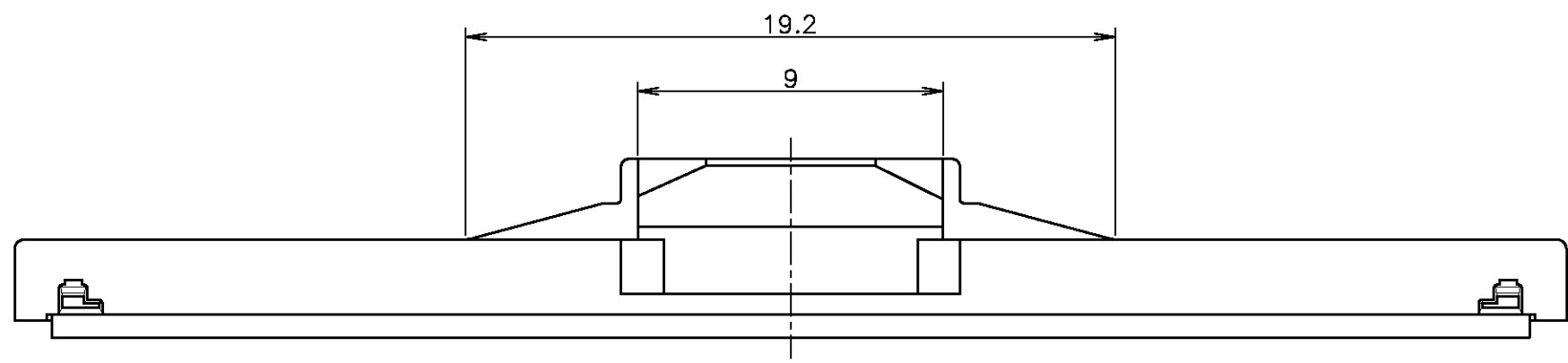
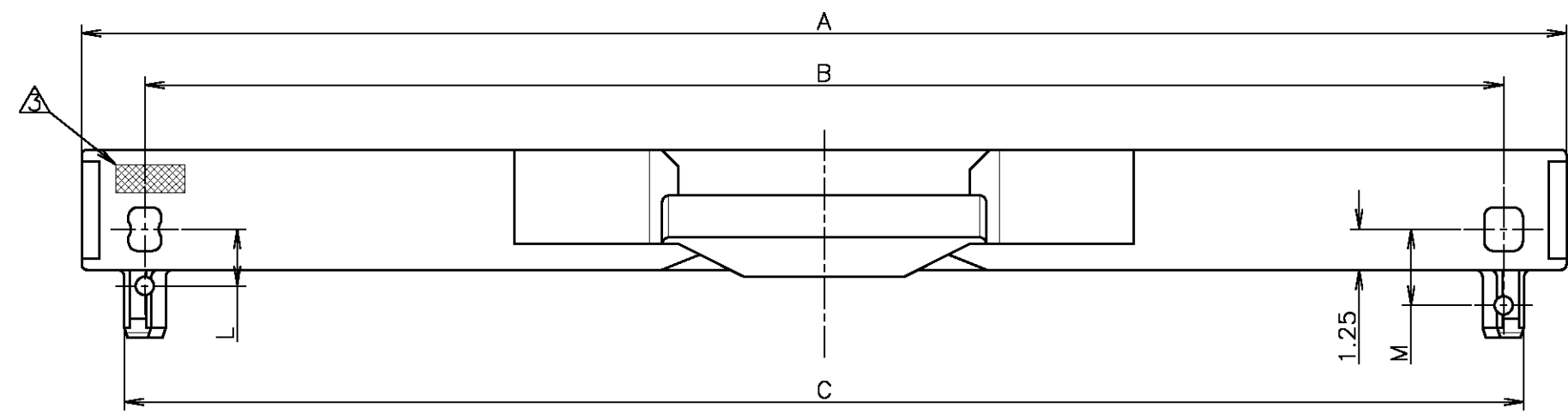
3

2

1

THIS DRAWING IS UNPUBLISHED. RELEASED FOR PUBLICATION  
 © COPYRIGHT - By - ALL RIGHTS RESERVED.

LOC J	DIST	REVISIONS 変更		
P	LTR	DESCRIPTION	DATE	DWN
		SEE SHEET 1	-	-
				APVD

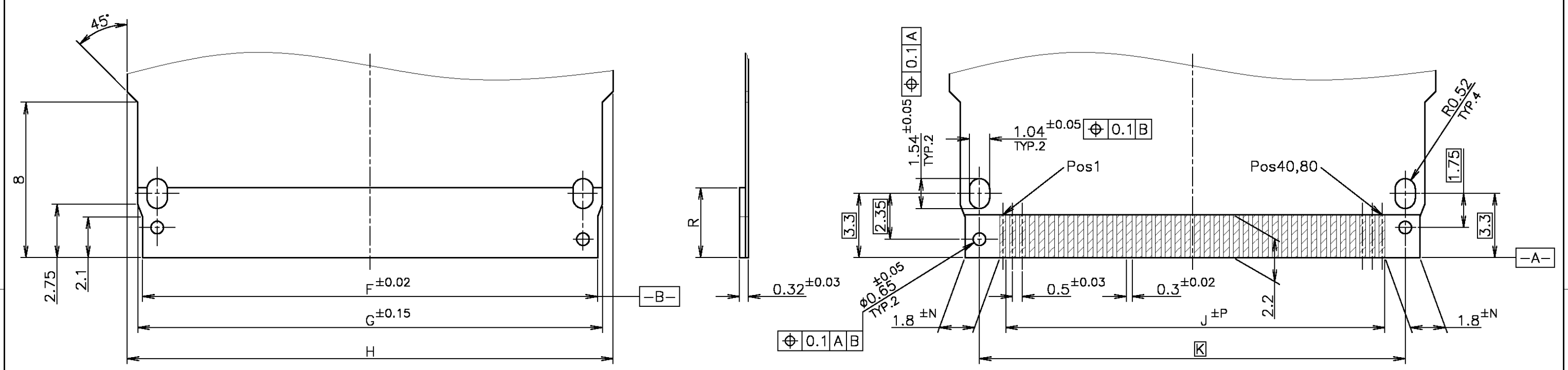


1871339-2:AS SHOWN

THIS DRAWING IS A CONTROLLED DOCUMENT.		DWN	<b>STE</b> TE Connectivity	
DIMENSIONS: 単位: 耗 mm		CHK		
TOLERANCES UNLESS OTHERWISE SPECIFIED: 一般公差		APVD	NAME 名称 FFC EASY MATING CONNECTOR,0.5mm PITCH COVER B	
0 PLC ±		PRODUCT SPEC 製品規格	SIZE	
1 PLC ±		APPLICATION SPEC 取付適用規格	CAGE CODE	DRAWING NO 番号
2 PLC ±		WEIGHT	A3	00779
3 PLC ±		CUSTOMER DRAWING		
4 PLC ±		SCALE 5:1		
ANGLES ±		SHEET 2 OF 3		
FINISH 仕上		REV C		
MATERIAL 材料		RESTRICTED TO		
		C-1871339		

THIS DRAWING IS UNPUBLISHED. RELEASED FOR PUBLICATION  
 © COPYRIGHT - By - ALL RIGHTS RESERVED.

LOC	DIST	REVISIONS		
J		P	LTR	DATE
				DWN
				APVD
		DESCRIPTION		
		- SEE SHEET 1		



FFC DIMENSION

FINISH	R	P	N	K	J	H	G	F	POS
Ni UNDER PLATE	2.75MIN	0.05	0.07	21.9	19.5	25	23.9	23.4	40
Au PLATE	3.6±0.85	0.06	0.06	41.9	39.5	45	43.9	43.4	80

THIS DRAWING IS A CONTROLLED DOCUMENT.		DWN	TE Connectivity					
DIMENSIONS: 单位: 耗 mm		CHK				NAME 名称		
TOLERANCES UNLESS OTHERWISE SPECIFIED: 一般公差		APVD				FFC EASY MATING CONNECTOR,0.5mm PITCH COVER B		
0 PLC ± 1 PLC ± 2 PLC ± 3 PLC ± 4 PLC ± ANGLES ±		PRODUCT SPEC 製品規格				SIZE		
MATERIAL 材料		FINISH 仕上	APPLICATION SPEC 取付適用規格	CAGE CODE	DRAWING NO 番号	RESTRICTED TO		
		WEIGHT	A3 00779 C-1871339					
CUSTOMER DRAWING			SCALE 尺度	SHEET	REV			
			5:1	3 OF 3	C			